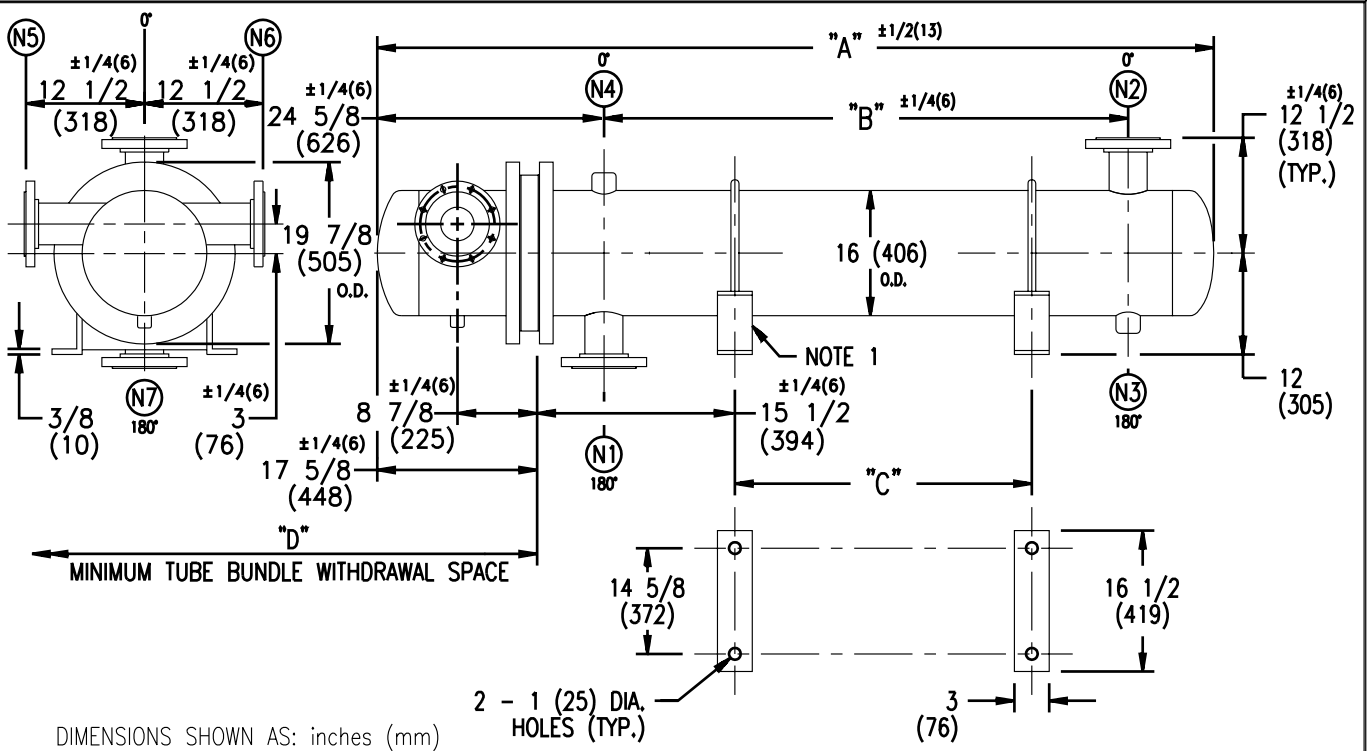


ARMSTRONG®



EXCHANGER SIZE * BAFFLE SPACING	DIMENSIONS											
	A		B		C		D		N1		N2	
	inches	mm	inches	mm	inches	mm	inches	mm	inches	mm	inches	mm
W-164-4*-4	67 5/8	1718	34 1/2	876	21	533	50	1270	6	152	6	152
W-165-4*-4	79 5/8	2022	46 1/2	1181	33	838	62	1575	6	152	6	152
W-166-4*-4	91 5/8	2327	58 1/2	1486	45	1143	74	1880	6	152	6	152
W-167-4*-4	103 5/8	2632	70 1/2	1791	57	1448	86	2184	6	152	6	152
W-168-4*-4	115 5/8	2937	82 1/2	2096	69	1753	98	2489	6	152	6	152
W-169-4*-4	127 5/8	3242	94 1/2	2400	81	2057	110	2794	6	152	6	152
W-1610-4*-4	139 5/8	3546	106 1/2	2705	93	2362	122	3099	6	152	6	152
W-1611-4*-4	151 5/8	3851	118 1/2	3010	105	2667	134	3404	6	152	6	152
W-1612-4*-4	163 5/8	4156	130 1/2	3315	117	2972	146	3708	6	152	6	152
W-1613-4*-4	175 5/8	4461	142 1/2	3620	129	3277	158	4013	6	152	6	152
W-1614-4*-4	187 5/8	4766	154 1/2	3924	141	3581	170	4318	6	152	6	152
W-1615-4*-4	199 5/8	5070	166 1/2	4229	153	3886	182	4623	6	152	6	152

NOZZLE SCHEDULE				
SERVICE	MARK	SHELL SIDE	MARK	TUBE SIDE
INLET	N1	AS PER TABLE	N5	4 (102) FLG
OUTLET	N2	AS PER TABLE	N6	4 (102) FLG
DRAIN	N3	1/2 (13) NPT	N7	1/2 (13) NPT
VENT	N4	3/4 (19) NPT		

NOTES: 1. SUPPORTS SUPPLIED ONLY IF SPECIFIED ON ORDER.
 2. NOZZLE SIZES SHOWN ARE RECOMMENDED FOR MAXIMUM EXCHANGER LIFE.
 3. FABRICATED TO ASME CODE SECTION VIII DIVISION 1 AND LATEST ADDENDA.
 4. DRAWING IS NOT TO SCALE.
 5. ALL DIMN'S ±1/8 (3) UNLESS OTHERWISE SHOWN.

DESIGN CONDITIONS				
	SHELL		TUBES	
DESIGN PRESSURE	150 PSIG	1034 KPa	150 PSIG	1034 KPa
DESIGN TEMPERATURE	375 °F	191 °C	375 °F	191 °C
MIN. DESIGN METAL TEMP.	40 °F	4.4 °C	40 °F	4.4 °C
HYDRO. TEST PRESSURE	225 PSIG	1551 KPa	225 PSIG	1551 KPa
CONTENTS	WATER		WATER	

CUSTOMER:
 LOCATION:
 ENGINEER:
 ORDER No.:
 PROJECT/JOB:
 LOCATION:
 TAG: (QUOTE #)

TITLE	A R M S T R O N G				NUMBER	REV.
G.A. 150 LB. WX SERIES HEAT EXCHANGERS	TORONTO - CANADA	MONTREAL - CANADA	BUFFALO - N. Y.	COLCHESTER - U.K.	W-16-4P-4 (6)	
DATE: 12 / 01 / 94	BY: D.C.R.	TEL: (416) 755-2291	TEL: (514) 421-2424	TEL: (716) 693-8813	TEL: (44) 120-657-9491	