

VERTICAL IN-LINE FIRE PUMP 43PF | 3 x 3 x 8 FM | SUBMITTAL

File No: F43.103J
Date: AUGUST 10, 2016
Supersedes: F43.103Q
Date: JANUARY 20, 2010

Job: _____ Representative: _____
 _____ Order no.: _____ Date: _____
 Engineer: _____ Submitted by: _____ Date: _____
 Contractor: _____ Approved by: _____ Date: _____

PUMP DESIGN DATA

Flow: _____
 Head: _____

MOTOR DATA

HP: _____ RPM: _____
 Volt: _____ ph: _____ Hz: _____

ENCLOSURE: _____

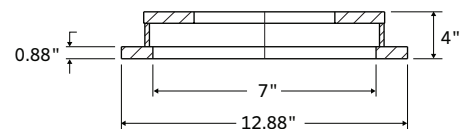
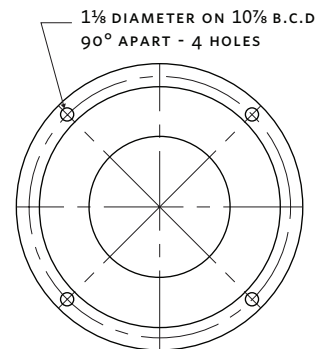
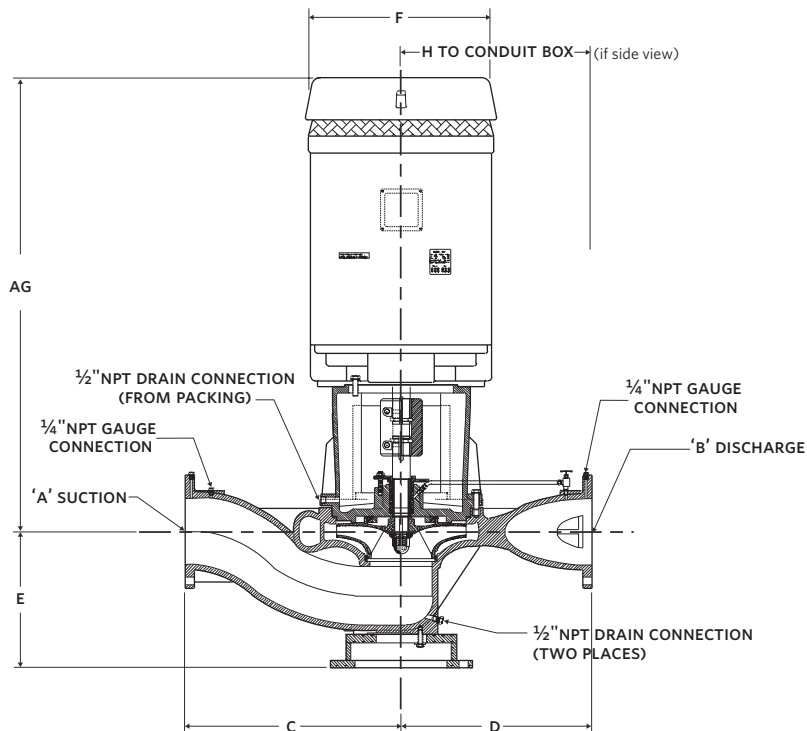
FIRE PUMP LISTING

- UL
- ULC
- FM

FLANGE RATING

- ANSI 125# STD
- ANSI 250# STD
- PN 16

- Dimensions are not to be used for construction purposes unless certified.
- Data subject to change without notice.



Base for FM Approval Only

SUBMITTAL
3×3×8FM

Vertical In-line fire pump
Series 43PF

2

PUMP DATA

PUMP	DIMENSIONS inches (mm)					WEIGHT
MODEL	A	B	C	D	E	lbs (kgs)
43PF 3×3×8FM	3.00 (76)	3.00 (76)	12.00 (305)	10.00 (254)	6.31 (160)	200 (90.7)

UL LISTED MOTOR DATA

MOTOR	DIMENSIONS inches (mm)			WEIGHT
FRAME	F MAX	AG MAX	H MAX	lbs (kgs)
213TC	12.13 (308)	28.04 (712)	7.59 (193)	100 (45.4)
215TC	12.13 (308)	28.04 (712)	7.59 (193)	100 (45.4)
254TC	13.38 (340)	34.04 (865)	9.94 (252)	150 (68.0)
256TC	13.38 (340)	34.04 (865)	9.94 (252)	150 (68.0)
284TSC	13.38 (340)	37.23 (946)	11.75 (298)	210 (95.3)
286TSC	13.38 (340)	37.23 (946)	11.75 (298)	210 (95.3)

TORONTO

+1 416 755 2291

BUFFALO

+1 716 693 8813

BIRMINGHAM

+44 (0) 8444 145 145

MANCHESTER

+44 (0) 8444 145 145

BANGALORE

+91 (0) 80 4906 3555

SHANGHAI

+86 21 3756 6696

SÃO PAULO

+55 11 4781 5500

ARMSTRONG FLUID TECHNOLOGY
ESTABLISHED 1934

ARMSTRONGFLUIDTECHNOLOGY.COM