

## HORIZONTAL SPLIT CASE PUMP | SERIES 4600F | ELECTRIC DRIVEN | 10x8x20F | SUBMITTAL

File No: F46-528  
Date: JUNE 21, 2021  
Supersedes: NEW  
Date: NEW

Job: \_\_\_\_\_ Representative: \_\_\_\_\_  
 \_\_\_\_\_ Order no.: \_\_\_\_\_ Date: \_\_\_\_\_  
 Engineer: \_\_\_\_\_ Submitted by: \_\_\_\_\_ Date: \_\_\_\_\_  
 Contractor: \_\_\_\_\_ Approved by: \_\_\_\_\_ Date: \_\_\_\_\_

### PUMP DESIGN DATA

Flow: \_\_\_\_\_  
 Head: \_\_\_\_\_

ENCLOSURE: \_\_\_\_\_  
 SPECIAL STARTING: \_\_\_\_\_  
 \_\_\_\_\_

### FLANGE RATING

- ANSI 125# STD<sup>1</sup>
- ANSI 125# Suction  
250# Discharge
- ANSI 250# Suction  
250# Discharge
- PN 16

### MOTOR DATA

HP: \_\_\_\_\_ RPM: \_\_\_\_\_  
 Volt: \_\_\_\_\_ ph: \_\_\_\_\_ Hz: \_\_\_\_\_

### FIRE PUMP LISTING

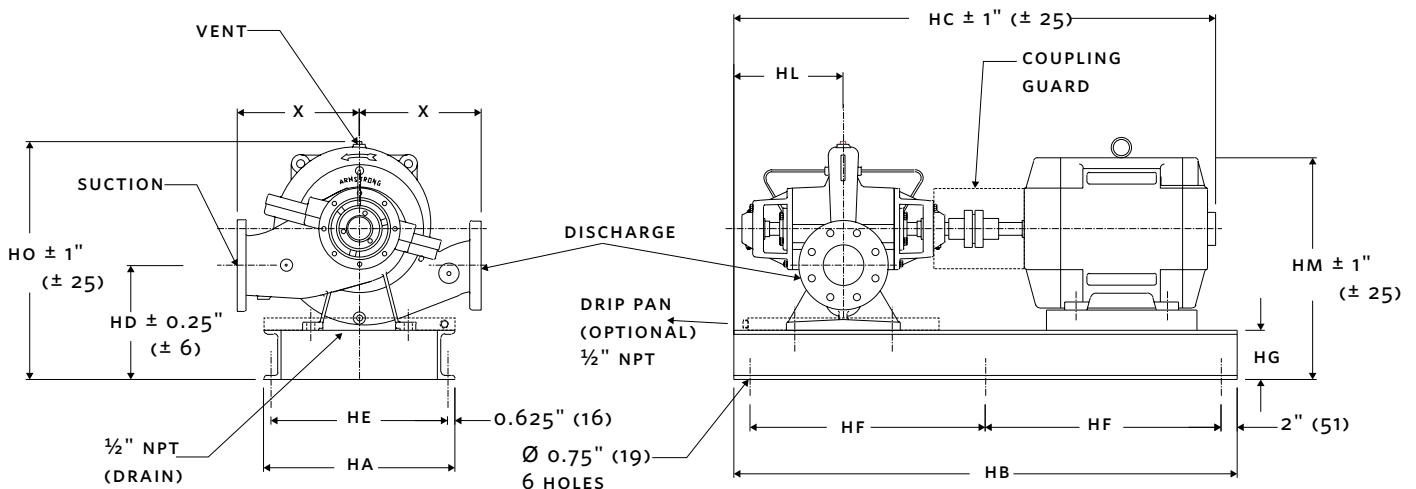
- UL
- ULC
- FM

### To be indicated by customer

- Suction side (viewed from driver end)
- Right hand (shown)    Left hand

### NOTES

- 1 Std. Discharge flange thickness ANSI 250#.
- 2 Coupling guard not shown.
- 3 All dimensions for engine connections are with reference to engine manufacturer's installation drawings.
- 4 Do not use for construction unless certified.



2

| MOTOR<br>FRAME | DIMENSIONS inches (mm) |                 |                 |                |                |                 |               |                |                 |                 |                | WEIGHT<br>lbs (kg) |
|----------------|------------------------|-----------------|-----------------|----------------|----------------|-----------------|---------------|----------------|-----------------|-----------------|----------------|--------------------|
|                | HA                     | HB              | HC              | HD             | HE             | HF              | HG            | HL             | HM              | HO              | X              |                    |
| 405TS          | 33.46<br>(850)         | 74.80<br>(1900) | 71.90<br>(1806) | 15.04<br>(382) | 30.15<br>(766) | 33.46<br>(850)  | 5.91<br>(150) | 17.00<br>(432) | 37.86<br>(962)  | 45.36<br>(1152) | 20.38<br>(518) | 2714<br>(1231)     |
| 444TS          | 33.46<br>(850)         | 82.68<br>(2100) | 76.03<br>(1931) | 15.04<br>(382) | 30.15<br>(766) | 37.40<br>(950)  | 5.91<br>(150) | 17.00<br>(432) | 40.52<br>(1029) | 45.36<br>(1152) | 20.38<br>(518) | 3036<br>(1377)     |
| 445TS          | 33.46<br>(850)         | 82.68<br>(2100) | 76.03<br>(1931) | 15.04<br>(382) | 30.15<br>(766) | 37.40<br>(950)  | 5.91<br>(150) | 17.00<br>(432) | 40.52<br>(1029) | 45.36<br>(1152) | 20.38<br>(518) | 3136<br>(1422)     |
| 447TS          | 33.46<br>(850)         | 90.55<br>(2300) | 79.48<br>(2019) | 15.04<br>(382) | 30.15<br>(766) | 41.34<br>(1050) | 5.91<br>(150) | 17.00<br>(432) | 40.11<br>(1019) | 45.36<br>(1152) | 20.38<br>(518) | 3599<br>(1633)     |
| 449TS          | 33.46<br>(850)         | 92.52<br>(2350) | 84.73<br>(2152) | 15.04<br>(382) | 30.15<br>(766) | 42.32<br>(1075) | 5.91<br>(150) | 17.00<br>(432) | 40.11<br>(1019) | 45.36<br>(1152) | 20.38<br>(518) | 3909<br>(1773)     |

TORONTO  
+1 416 755 2291

BUFFALO  
+1 716 693 8813

DROITWICH SPA  
+44 8444 145 145

MANCHESTER  
+44 8444 145 145

BANGALORE  
+91 80 4906 3555

SHANGHAI  
+86 21 5237 0909

SÃO PAULO  
+55 11 4785 1330

LYON  
+33 4 26 83 78 74

DUBAI  
+971 4 887 6775

MANNHEIM  
+49 621 3999 9858

JIMBOLIA  
+40 256 360 030