

## SERIES 4600 | HORIZONTAL SPLIT CASE PUMP

### 6 × 5 × 15L | SUBMITTAL

File No: 46.554  
 Date: NOVEMBER 28, 2014  
 Supersedes: 46.554  
 Date: OCTOBER 15, 2013

Job: \_\_\_\_\_ Representative: \_\_\_\_\_

Ordered by: \_\_\_\_\_ Date: \_\_\_\_\_

Engineer: \_\_\_\_\_ Submitted by: \_\_\_\_\_ Date: \_\_\_\_\_

Approved by: \_\_\_\_\_ Date: \_\_\_\_\_

#### PUMP DESIGN DATA

No. of pumps: \_\_\_\_\_ Tag: \_\_\_\_\_  
 Capacity: \_\_\_\_\_ USgpm (L/s) Head: \_\_\_\_\_ ft (m)  
 Liquid: \_\_\_\_\_ Viscosity: \_\_\_\_\_  
 Temperature: \_\_\_\_\_ °F (°C) Specific gravity: \_\_\_\_\_  
 Suction: 6" (150 mm) Discharge: 5" (125 mm)

#### MATERIALS OF CONSTRUCTION

ANSI FLANGE RATING	ANSI 125	ANSI 250
Construction	<input type="checkbox"/> BF	<input type="checkbox"/> BF 250

**Casing:** Cast iron  
**Impeller:** Bronze  
**Casing wear ring:** Bronze  
**Gasket:** Confined non-asbestos fiber  
**Bearing frame:** Cast iron  
**Coupler guard:** Steel OSHA  
**Anti-friction bearings:** Permanently lubricated  
**Shaft:** Carbon steel  
**Shaft sleeve:** Bronze  
**Coupler:** Constant speed: Woods sure-flex or equal  
 Variable speed: Woods dura-flex or equal  
**Baseplate:** Fabricated steel

#### MECHANICAL SEAL DATA

ANSI FLANGE RATING	ANSI 125	ANSI 250
Seal type	A21	ARO
Stationary seat	Silicon carbide	Carbon
Rotating face	Carbon	Durchrome
Secondary seal	EPDM	Viton

**Spring:** Stainless steel  
**Rotating hardware:** Stainless steel  
**Gland plate:** Bronze

#### MOTOR DESIGN DATA

HP: \_\_\_\_\_ RPM: \_\_\_\_\_  
 Frame size: \_\_\_\_\_ Enclosure: \_\_\_\_\_  
 Volts: \_\_\_\_\_ Hertz: 60 Hz Phase: 3  
 Efficiency:  NEMA premium 12.12  Other \_\_\_\_\_ %

#### MAXIMUM PUMP OPERATING CONDITIONS

**ANSI 125**  
 175 psig at 150°F (12 bars at 65°C)  
 140 psig at 225°F (10 bars at 107°C)

**ANSI 250**  
 300 psig at 150°F (20 bars at 65°C)  
 250 psig at 250°F (17 bars at 121°C)

- Tolerance of ±0.125" (±3 mm) should be used
- For exact installation, data please write factory for certified dimensions
- See performance curves on page 3

#### OPTIONAL EQUIPMENT

#### SUCTION SIDE REQUIREMENT

**Important (please select)**

Viewed from motor end

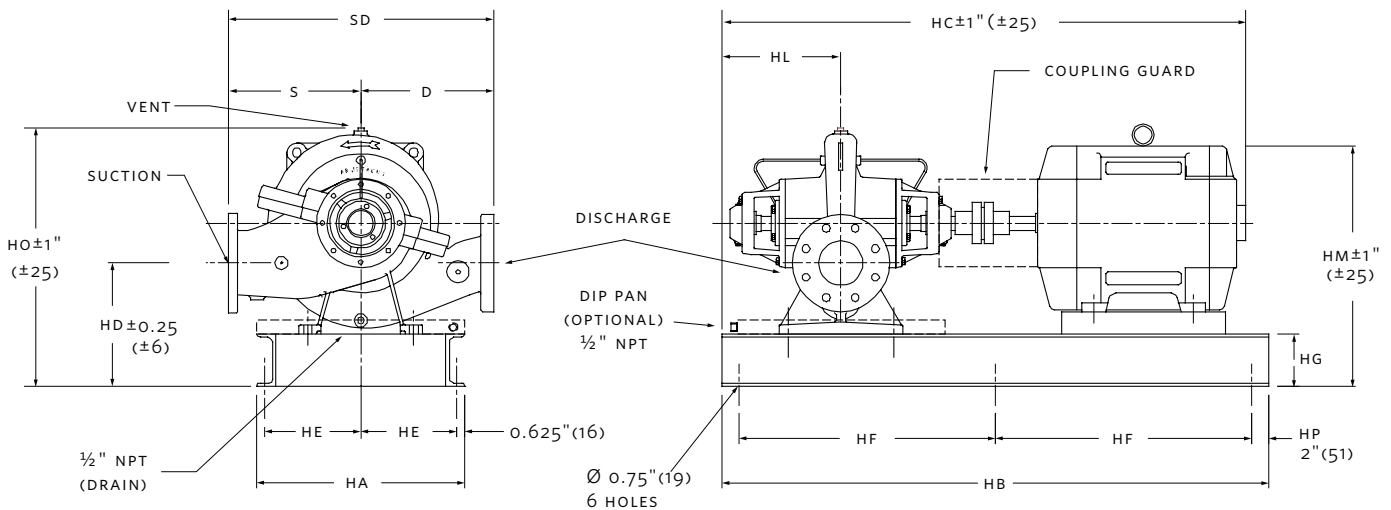
Right hand (illustrated)  Left hand

MOTOR FRAME	HORSEPOWER @ RPM		1200	DIMENSIONS INCHES (mm)										WEIGHT*		
	1800			HA	HB	HC		HD	HE	HF	HG	HM		HO	lbs (kgs)	
	ODP	TEFC				ODP	TEFC					ODP	TEFC		ODP	TEFC
256TC	—	—	10	16.00 (406)	54.00 (1372)	53.69 (1364)	55.31 (1405)	11.00 (279)	7.38 (187)	25.00 (635)	3.00 (76)	21.38 (543)	21.50 (546)	25.90 (658)	1076 (488.1)	1116 (506.2)
284TC	—	—	15	19.00 (483)	58.00 (1473)	55.38 (1407)	58.26 (1480)	12.00 (305)	8.88 (225)	27.00 (686)	4.00 (102)	22.72 (577)	23.25 (591)	26.90 (683)	1200 (544.3)	1160 (526.2)
286TC	—	—	20	19.00 (483)	58.00 (1473)	55.38 (1407)	58.26 (1480)	12.00 (305)	8.88 (225)	27.00 (686)	4.00 (102)	22.72 (577)	23.25 (591)	26.90 (683)	1170 (530.7)	1303 (591.0)
324TC	40	40	25	19.00 (483)	58.00 (1473)	57.94 (1472)	61.06 (1551)	12.00 (305)	8.88 (225)	27.00 (686)	4.00 (102)	24.00 (610)	24.25 (616)	26.90 (683)	1375 (623.7)	1440 (653.2)
326TC	50	50	30	19.00 (483)	58.00 (1473)	57.94 (1472)	61.06 (1551)	12.00 (305)	8.88 (225)	27.00 (686)	4.00 (102)	24.00 (610)	24.25 (616)	26.90 (683)	1395 (632.8)	1678 (761.1)
364TC	60	60	40	19.00 (483)	64.00 (1626)	60.19 (1529)	63.34 (1609)	12.00 (305)	8.88 (225)	30.00 (762)	4.00 (102)	25.00 (635)	25.00 (635)	26.90 (683)	1660 (753.0)	1738 (788.3)
365TC	75	75	50	19.00 (483)	64.00 (1626)	60.19 (1529)	63.34 (1609)	12.00 (305)	8.88 (225)	30.00 (762)	4.00 (102)	25.00 (635)	25.00 (635)	26.90 (683)	1470 (666.8)	1847 (837.8)
404TC	100	—	—	19.00 (483)	64.00 (1626)	64.56 (1640)	68.53 (1741)	12.00 (305)	8.88 (225)	30.00 (762)	4.00 (102)	25.50 (648)	26.00 (660)	26.90 (683)	1788 (811.0)	—
405TC	125	100	—	19.00 (483)	64.00 (1626)	64.56 (1640)	68.53 (1741)	12.00 (305)	8.88 (225)	30.00 (762)	4.00 (102)	25.50 (648)	26.00 (660)	26.90 (683)	2457 (1114.5)	2112 (958.0)
444TC	150	125	—	25.00 (635)	70.00 (1778)	70.12 (1781)	75.89 (1928)	12.00 (305)	11.88 (302)	33.00 (838)	4.00 (102)	27.00 (686)	27.00 (686)	26.90 (683)	2329 (1056.4)	2770 (1256.5)

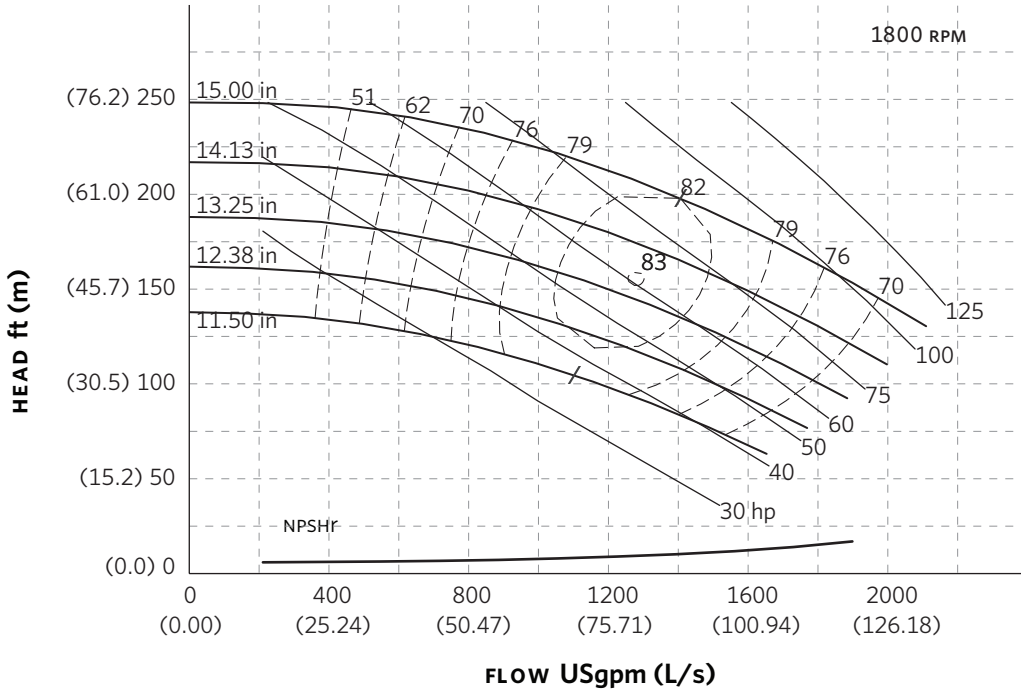
**PUMP DIMENSIONS**  
inches (mm)

HL	S	D
13.50 (343)	15.00 (381)	15.00 (381)

\*Assembly weight combines pump and motor.



## SERIES 4600 PERFORMANCE CURVES



**Curve number**  
PT152-1-0-1800

**Series**  
4600

**Size**  
6 × 5 × 15L

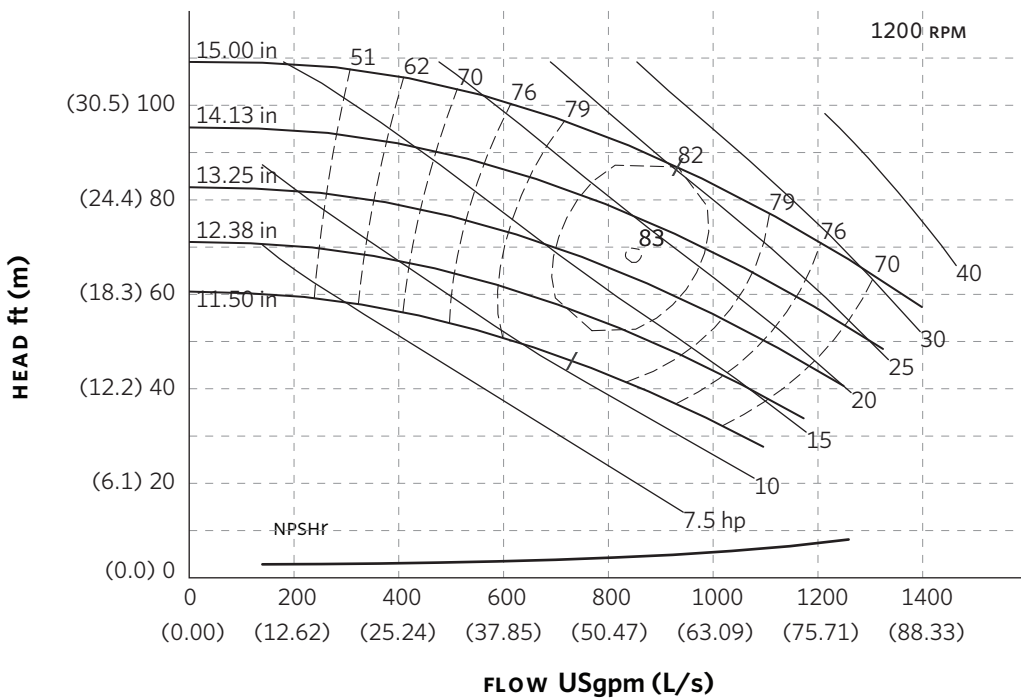
**RPM**  
1800

BHP based on shown Fluid's sp. gr.

**Availability**  
4600 all ratings

Performance guaranteed only at operating point indicated

Curve shown for clear, cold water - SP. GR. 1.000



**Curve number**  
PT152-1-0-1200

**Series**  
4600

**Size**  
6 × 5 × 15L

**RPM**  
1200

BHP based on shown Fluid's sp. gr.

**Availability**  
4600 all ratings

Performance guaranteed only at operating point indicated

Curve shown for clear, cold water - SP. GR. 1.000

Performance curves are for reference only.  
Confirm current performance data with Armstrong ACE Online selection software.

**TORONTO**

23 BERTRAND AVENUE  
TORONTO, ONTARIO  
CANADA  
M1L 2P3  
+1 416 755 2291

**BUFFALO**

93 EAST AVENUE  
NORTH TONAWANDA, NEW YORK  
U.S.A.  
14120-6594  
+1 716 693 8813

**BIRMINGHAM**

HEYWOOD WHARF, MUCKLOW HILL  
HALESOWEN, WEST MIDLANDS  
UNITED KINGDOM  
B62 8DJ  
+44 (0) 8444 145 145

**MANCHESTER**

WENLOCK WAY  
MANCHESTER  
UNITED KINGDOM  
M12 5JL  
+44 (0) 8444 145 145

**BANGALORE**

#59, FIRST FLOOR, 3RD MAIN  
MARGOSA ROAD, MALLESWARAM  
BANGALORE, INDIA  
560 003  
+91 (0) 80 4906 3555

**SHANGHAI**

NO. 1619 HU HANG ROAD, XI DU TOWNSHIP  
FENG XIAN DISTRICT, SHANGHAI  
P.R.C.  
201401  
+86 21 3756 6696

ARMSTRONG FLUID TECHNOLOGY  
ESTABLISHED 1934

ARMSTRONGFLUIDTECHNOLOGY.COM

**MAKING  
ENERGY  
MAKE  
SENSE™**