

SERIES 4600 | HORIZONTAL SPLIT CASE PUMP

5 × 4 × 10L | SUBMITTAL

File No: 46.503
 Date: NOVEMBER 28, 2014
 Supersedes: 46.503
 Date: OCTOBER 15, 2013

Job: _____ Representative: _____

Ordered by: _____ Date: _____

Engineer: _____ Submitted by: _____ Date: _____

Approved by: _____ Date: _____

PUMP DESIGN DATA

No. of pumps: _____ Tag: _____
 Capacity: _____ USgpm (L/s) Head: _____ ft (m)
 Liquid: _____ Viscosity: _____
 Temperature: _____ °F (°C) Specific gravity: _____
 Suction: 5" (125 mm) Discharge: 4" (100 mm)

MATERIALS OF CONSTRUCTION

ANSI FLANGE RATING	ANSI 125	ANSI 250
Construction	<input type="checkbox"/> BF	<input type="checkbox"/> BF 250

Casing: Cast iron
Impeller: Bronze
Casing wear ring: Bronze
Gasket: Confined non-asbestos fiber
Bearing frame: Cast iron
Coupler guard: Steel OSHA
Anti-friction bearings: Permanently lubricated
Shaft: Carbon steel
Shaft sleeve: Bronze
Coupler: Constant speed: Woods sure-flex or equal
 Variable speed: Woods dura-flex or equal
Baseplate: Fabricated steel

MECHANICAL SEAL DATA

ANSI FLANGE RATING	ANSI 125	ANSI 250
Seal type	A21	ARO
Stationary seat	Silicon carbide	Carbon
Rotating face	Carbon	Durchrome
Secondary seal	EPDM	Viton

Spring: Stainless steel
Rotating hardware: Stainless steel
Gland plate: Bronze

MOTOR DESIGN DATA

HP: _____ RPM: _____
 Frame size: _____ Enclosure: _____
 Volts: _____ Hertz: 60 Hz Phase: 3
 Efficiency: NEMA premium 12.12 Other _____ %

MAXIMUM PUMP OPERATING CONDITIONS

ANSI 125
 175 psig at 150°F (12 bars at 65°C)
 140 psig at 225°F (10 bars at 107°C)

ANSI 250
 300 psig at 150°F (20 bars at 65°C)
 250 psig at 250°F (17 bars at 121°C)

- Tolerance of ±0.125" (±3 mm) should be used
- For exact installation, data please write factory for certified dimensions
- See performance curves on page 3

OPTIONAL EQUIPMENT

SUCTION SIDE REQUIREMENT

Important (please select)

Viewed from motor end

Right hand (illustrated) Left hand

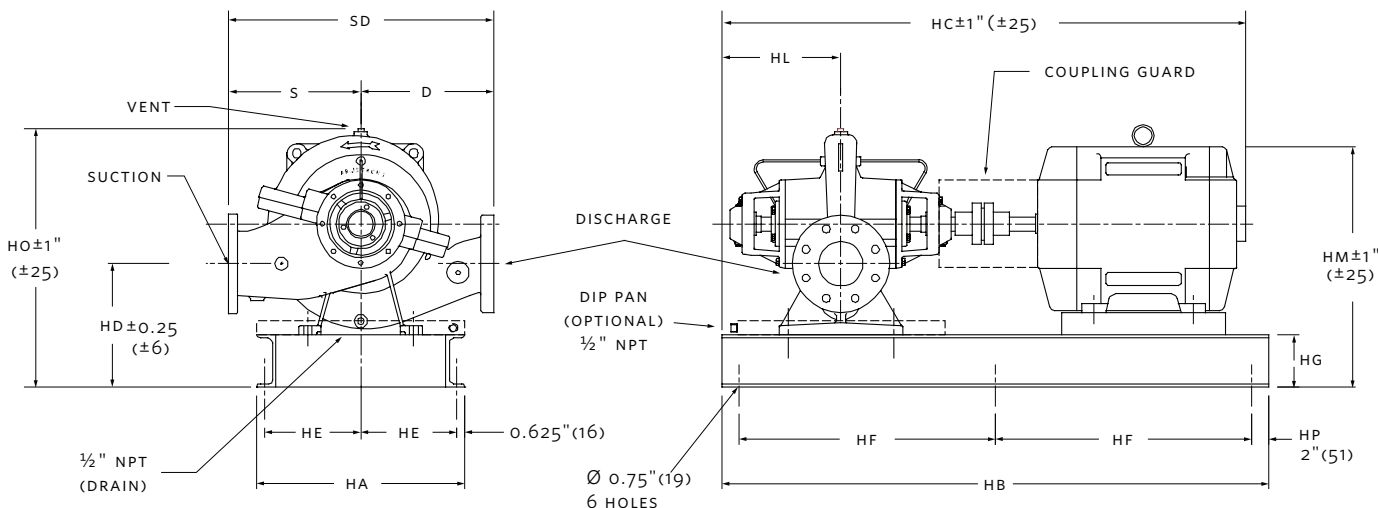
MOTOR	HORSEPOWER @ RPM				DIMENSIONS INCHES (mm)											WEIGHT*	
	3600		1800	1200	HA	HB	HC		HD	HE	HF	HG	HM		HO	lbs (kgs)	
	ODP	TEFC					ODP	TEFC					ODP	TEFC		ODP	TEFC
184TC**	—	—	5	2	16.00 (406)	45.00 (1143)	45.50 (1156)	46.03 (1169)	9.50 (241)	7.38 (187)	41.00 (1141)	3.00 (76)	17.94 (456)	18.25 (464)	21.14 (537)	680 (308.4)	708 (321.1)
213TC	—	—	7.5	3	16.00 (406)	54.00 (1372)	48.00 (1219)	49.56 (1259)	9.50 (241)	7.38 (187)	25.00 (635)	3.00 (76)	18.69 (475)	19.00 (483)	21.14 (537)	715 (324.3)	765 (347.0)
215TC	—	—	10	5	16.00 (406)	54.00 (1372)	48.00 (1219)	49.56 (1259)	9.50 (241)	7.38 (187)	25.00 (635)	3.00 (76)	18.69 (475)	19.00 (483)	21.14 (537)	730 (331.1)	772 (350.2)
254TC	—	—	15	—	16.00 (406)	54.00 (1372)	53.69 (1364)	55.31 (1405)	9.50 (241)	7.38 (187)	25.00 (635)	3.00 (76)	19.88 (505)	20.00 (508)	21.14 (537)	882 (400.1)	916 (415.5)
256TC	—	20	—	—	16.00 (406)	54.00 (1372)	53.69 (1364)	55.31 (1405)	9.50 (241)	7.38 (187)	25.00 (635)	3.00 (76)	19.88 (505)	20.00 (508)	21.14 (537)	—	938 (425.5)
324TSC	50	40	—	—	19.00 (483)	58.00 (1473)	56.25 (1429)	59.56 (1513)	10.50 (267)	8.88 (225)	27.00 (686)	4.00 (102)	22.50 (572)	22.75 (578)	22.14 (562)	1210 (548.8)	1211 (549.3)
326TSC	60	50	—	—	19.00 (483)	58.00 (1473)	56.25 (1429)	59.56 (1513)	10.50 (267)	8.88 (225)	27.00 (686)	4.00 (102)	22.50 (572)	22.75 (578)	22.14 (562)	1284 (582.4)	1257 (570.2)
364TSC	75	60	—	—	19.00 (483)	64.00 (1626)	58.06 (1475)	60.94 (1548)	10.50 (267)	8.88 (225)	30.00 (762)	4.00 (102)	23.50 (597)	23.50 (597)	22.14 (562)	1455 (660.0)	1642 (744.8)
365TSC	100	75	—	—	19.00 (483)	64.00 (1626)	58.06 (1475)	60.94 (1548)	10.50 (267)	8.88 (225)	30.00 (762)	4.00 (102)	23.50 (597)	23.50 (597)	22.14 (562)	1559 (707.2)	1675 (759.8)
404TSC	125	—	—	—	19.00 (483)	64.00 (1626)	61.56 (1564)	65.13 (1654)	10.50 (267)	8.88 (225)	30.00 (762)	4.00 (102)	24.50 (622)	24.50 (622)	22.14 (562)	1730 (784.7)	—
405TSC	150	100	—	—	19.00 (483)	64.00 (1626)	61.56 (1564)	65.13 (1654)	10.50 (267)	8.88 (225)	30.00 (762)	4.00 (102)	24.50 (622)	24.50 (622)	22.14 (562)	1795 (814.2)	1872 (849.1)
405TSC	150	125	—	—	19.00 (483)	64.00 (1626)	61.56 (1564)	65.13 (1654)	10.50 (267)	8.88 (225)	30.00 (762)	4.00 (102)	24.50 (622)	24.50 (622)	22.14 (562)	1795 (814.2)	2517 (1141.7)

PUMP DIMENSIONS
inches (mm)

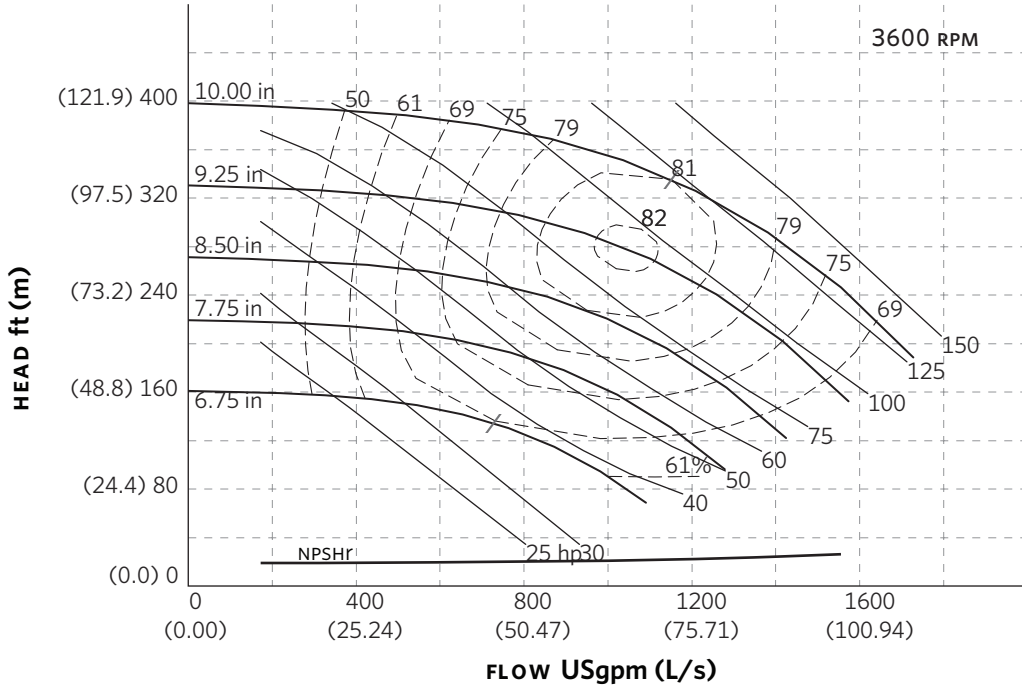
HL	S	D
13.50 (343)	12.00 (305)	12.00 (305)

*Assembly weight combines pump and motor.

**Model 5×4×10L 184T frame is supplied with a 4-hole base



SERIES 4600 PERFORMANCE CURVES



Curve number
PT141-2-0-3600

Series
4600

Size
5 × 4 × 10L

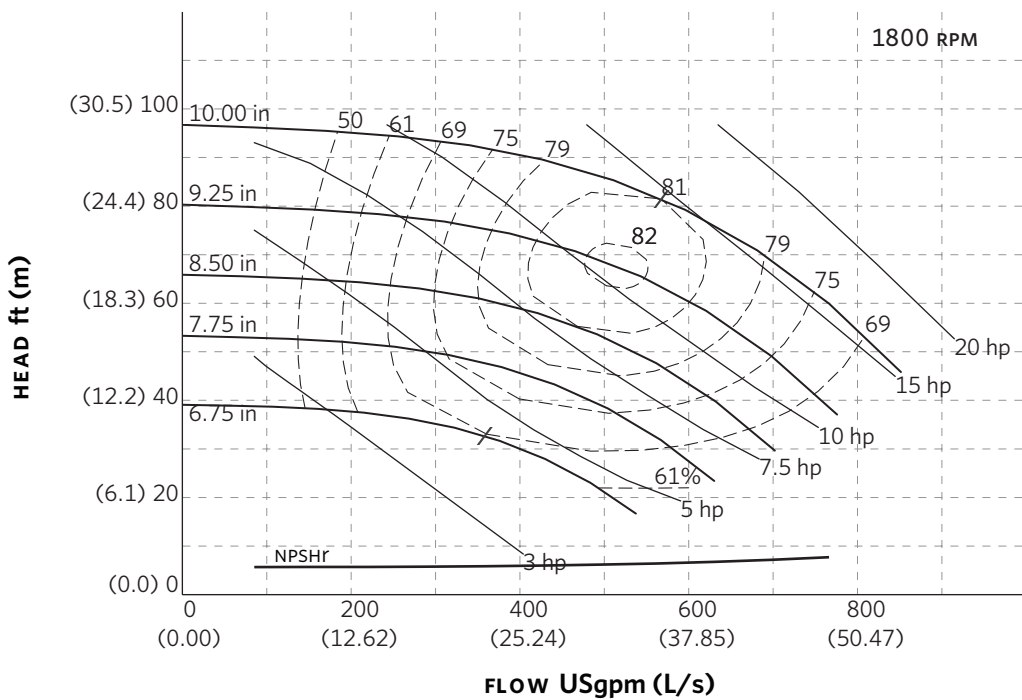
RPM
3600

BHP based on shown Fluid's sp. gr.

Availability
4600 all ratings

Performance guaranteed only at operating point indicated

Curve shown for clear, cold water
- SP. GR. 1.000



Curve number
PT141-2-0-1800

Series
4600

Size
5 × 4 × 10L

RPM
1800

BHP based on shown Fluid's sp. gr.

Availability
4600 all ratings

Performance guaranteed only at operating point indicated

Curve shown for clear, cold water
- SP. GR. 1.000

Performance curves are for reference only.
Confirm current performance data with Armstrong ACE Online selection software.

TORONTO

23 BERTRAND AVENUE
TORONTO, ONTARIO
CANADA
M1L 2P3
+1 416 755 2291

BUFFALO

93 EAST AVENUE
NORTH TONAWANDA, NEW YORK
U.S.A.
14120-6594
+1 716 693 8813

BIRMINGHAM

HEYWOOD WHARF, MUCKLOW HILL
HALESOWEN, WEST MIDLANDS
UNITED KINGDOM
B62 8DJ
+44 (0) 8444 145 145

MANCHESTER

WENLOCK WAY
MANCHESTER
UNITED KINGDOM
M12 5JL
+44 (0) 8444 145 145

BANGALORE

#59, FIRST FLOOR, 3RD MAIN
MARGOSA ROAD, MALLESWARAM
BANGALORE, INDIA
560 003
+91 (0) 80 4906 3555

SHANGHAI

NO. 1619 HU HANG ROAD, XI DU TOWNSHIP
FENG XIAN DISTRICT, SHANGHAI
P.R.C.
201401
+86 21 3756 6696

ARMSTRONG FLUID TECHNOLOGY
ESTABLISHED 1934

ARMSTRONGFLUIDTECHNOLOGY.COM

**MAKING
ENERGY
MAKE
SENSE™**