

# SERIES 4300 | VERTICAL IN-LINE

## 3×3×8 | SUBMITTAL

File No: 43-513  
 Date: NOV. 26, 2014  
 Supersedes: 43-513  
 Date: APRIL 14, 2014

Job: \_\_\_\_\_ Representative: \_\_\_\_\_  
 \_\_\_\_\_ Ordered by: \_\_\_\_\_ Date: \_\_\_\_\_  
 Engineer: \_\_\_\_\_ Submitted by: \_\_\_\_\_ Date: \_\_\_\_\_  
 Contractor: \_\_\_\_\_ Approved by: \_\_\_\_\_ Date: \_\_\_\_\_

### PUMP DESIGN DATA

No. of pumps: \_\_\_\_\_ Tag: \_\_\_\_\_  
 Capacity: \_\_\_\_\_ USgpm (L/s) Head: \_\_\_\_\_ ft (m)  
 Liquid: \_\_\_\_\_ Viscosity: \_\_\_\_\_  
 Temperature: \_\_\_\_\_ °F (°C) Specific gravity: \_\_\_\_\_  
 Suction: 3" (75 MM) Discharge: 3" (75 MM)

### MAXIMUM PUMP OPERATING CONDITIONS

#### ANSI 125

175 psig at 140°F (12 bars at 60°C)  
 100 psig at 300°F (7 bars at 149°C)

#### ANSI 250

375 psig at 100°F (26 bars at 38°C)  
 275 psig at 300°F (19 bars at 149°C)

- See file no. 43.50 for maximum seal operating conditions.
- Coupling guard (not shown) is supplied.
- Tolerance of ±0.125" (±3 mm) should be used
- For exact installation data please write factory for certified dimensions.
- See performance curves on page 3
- Pump equipped with casing drain plug and ¼" NPT suction and discharge gauge ports.

### MATERIALS OF CONSTRUCTION

ANSI FLANGE RATING	ANSI 125			ANSI 250	
Construction	<input type="checkbox"/> BF	<input type="checkbox"/> AI	<input type="checkbox"/> AB	<input type="checkbox"/> DBF	<input type="checkbox"/> DI
Casing	Cast iron	Cast iron	Bronze	Ductile iron	Ductile iron
Impeller	Bronze	Cast iron	Bronze	Bronze	Cast iron

**Flush line:** Braided stainless steel

**Pump shaft:** 416 stainless steel

**Coupling:** High tensile aluminum

**Gasket:** Confined fiber

### MOTOR DESIGN DATA

HP: \_\_\_\_\_ RPM: \_\_\_\_\_  
 Frame size: \_\_\_\_\_ Enclosure: \_\_\_\_\_  
 Volts: \_\_\_\_\_ Hertz: 60 Hz  
 Efficiency:  NEMA premium 12.12  Other: \_\_\_\_\_ %  
 Flange size: \_\_\_\_\_ Phase: \_\_\_\_\_

### MECHANICAL SEAL DESIGN DATA

See file number 43.50 for standard mechanical seal details as indicated below

ARMSTRONG SEAL REFERENCE NUMBER:

c1 (a)  Others: \_\_\_\_\_

### SEAL DATA OPTIONS

### OPTIONAL EQUIPMENT

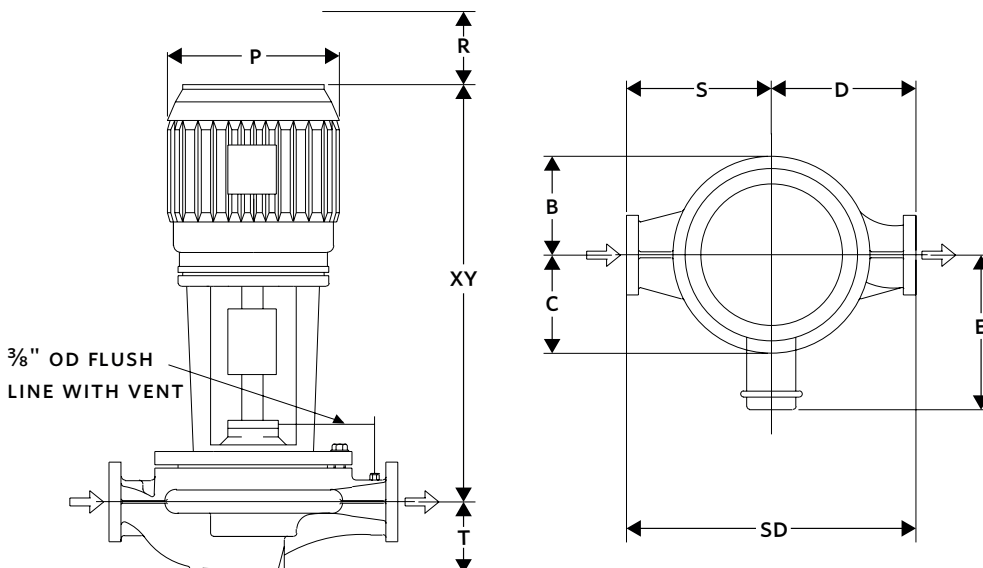
See file no. 43.50 for environmental accessories

MOTOR FRAME	HORSEPOWER @ RPM						DIMENSIONS INCHES (mm)				WEIGHT*	
	ODP			TEFC			ODP/ TEFC				ODP	TEFC
	3600	1800	1200	3600	1800	1200	E	P	R	XY		
145TC	—	1.5 & 2	1	—	1.5 & 2	1	6.09 (155)	8.63 (219)	3.00 (80)	22.03 (560)	232 (105.2)	238 (108.0)
182TC	—	3	1.5	—	3	1.5	7.50 (191)	10.38 (264)	4.00 (90)	26.54 (674)	248 (112.5)	279 (126.6)
184TC	—	5	2	—	5	—	7.50 (191)	10.38 (264)	4.00 (90)	26.54 (674)	260 (117.9)	288 (130.6)
213TC	—	7.5	—	—	7.5	—	8.25 (210)	12.13 (308)	4.00 (100)	29.16 (741)	295 (133.8)	345 (156.5)
215TC	15	—	—	—	—	—	8.25 (210)	12.13 (308)	4.00 (100)	29.16 (741)	320 (145.1)	353 (160.1)
254TC	20	—	—	15	—	—	9.94 (252)	13.38 (340)	5.00 (110)	34.10 (866)	395 (179.2)	460 (208.7)
256TC	25	—	—	20	—	—	9.94 (252)	13.38 (340)	5.00 (110)	34.10 (866)	450 (204.1)	493 (223.6)
284TSC	30	—	—	25	—	—	12.00 (305)	15.31 (389)	4.00 (100)	43.36 (1101)	573 (259.9)	565 (256.3)
286TSC	40	—	—	30	—	—	12.00 (305)	15.31 (389)	4.00 (100)	43.36 (1101)	657 (298.0)	628 (284.9)
324TSC	50	—	—	40	—	—	13.91 (353)	17.00 (432)	4.00 (110)	44.29 (1125)	760 (344.7)	761 (345.2)
326TSC	—	—	—	50	—	—	13.91 (353)	17.00 (432)	4.00 (110)	44.29 (1125)	—	807 (366.0)

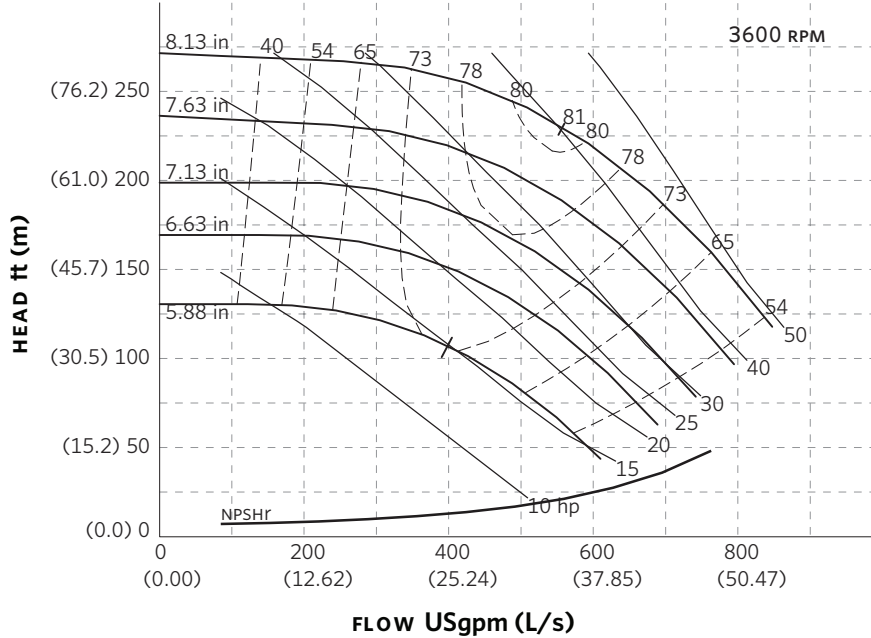
\*Assembly weight combines pump and motor.

**PUMP DIMENSIONS**  
inches (mm)

B	C	D	S	SD	T
6.75 (171)	5.80 (147)	10.00 (254)	12.00 (305)	22.00 (559)	6.31 (160)



## SERIES 4300 PERFORMANCE CURVES



**Curve number**  
PT73-1-0-3600

**Series**  
4300  
4380

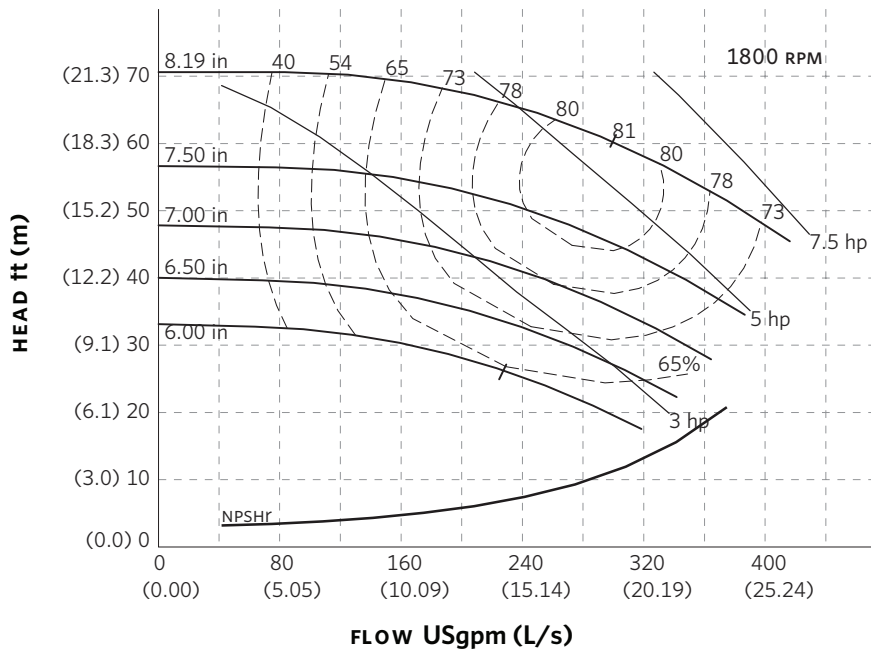
**Size**  
3 × 3 × 8

**RPM**  
3600

BHP based on shown  
Fluid's sp. gr.

**Availability**  
4300 all ratings  
4380 all ratings  
Performance  
guaranteed only  
at operating point  
indicated

Curve shown for  
clear, cold water  
– SP. GR. 1.000



**Curve number**  
PT72-2-0-1800

**Series**  
4300  
4380

**Size**  
3 × 3 × 8

**RPM**  
1800

BHP based on shown  
Fluid's sp. gr.

**Availability**  
4300 all ratings  
4380 all ratings  
Performance  
guaranteed only  
at operating point  
indicated

Curve shown for  
clear, cold water  
– SP. GR. 1.000

Performance curves are for reference only.

Confirm current performance data with Armstrong ACE Online selection software.

**TORONTO**

23 BERTRAND AVENUE  
TORONTO, ONTARIO  
CANADA  
M1L 2P3  
+1 416 755 2291

**BUFFALO**

93 EAST AVENUE  
NORTH TONAWANDA, NEW YORK  
U.S.A.  
14120-6594  
+1 716 693 8813

**BIRMINGHAM**

HEYWOOD WHARF, MUCKLOW HILL  
HALESOWEN, WEST MIDLANDS  
UNITED KINGDOM  
B62 8DJ  
+44 (0) 8444 145 145

**MANCHESTER**

WOLVERTON STREET  
MANCHESTER  
UNITED KINGDOM  
M11 2ET  
+44 (0) 8444 145 145

**BANGALORE**

#59, FIRST FLOOR, 3RD MAIN  
MARGOSA ROAD, MALLESWARAM  
BANGALORE, INDIA  
560 003  
+91 (0) 80 4906 3555

**SHANGHAI**

NO. 1619 HU HANG ROAD, XI DU TOWNSHIP  
FENG XIAN DISTRICT, SHANGHAI  
P.R.C.  
201401  
+86 21 3756 6696

**MAKING  
ENERGY  
MAKE  
SENSE™**