

SERIES 42ST | MOTOR MOUNTED CENTRIFUGAL PUMPS | SUBMITTAL

File No: 42.51
Date: AUG. 22, 2012
Supersedes: 42.15
Date: APRIL 11, 2008

Job: _____ Representative: _____

Ordered by: _____ Date: _____

Engineer: _____ Submitted by: _____ Date: _____

Approved by: _____ Date: _____

PUMP DESIGN DATA

No. of pumps: _____ Tag: _____

Capacity: _____ USgpm (L/s) Head: _____ ft (m)

Liquid: _____ Viscosity: _____

Temperature: _____ °F (°C) Specific gravity: _____

MOTOR DESIGN DATA

HP: _____ RPM: _____

Frame size: _____ Enclosure: 50J

Volts: _____ Hertz: 60 Hz

Phase: 1 Phase 3 Phase

Efficiency: Standard

MECHANICAL SEAL DESIGN DATA

Seal type: 21

Insert: Carbon

Seal: Ceramic

Bellows: Viton

L-cup: Viton

Retainer: Stainless style

Spring: Stainless style

MATERIALS OF CONSTRUCTION

Construction: Bronze Fitted

Impeller: Ultem

Casing/Volute: Cast iron

O-ring: Viton

Adapter: Aluminum

Shaft: 416 Stainless steel

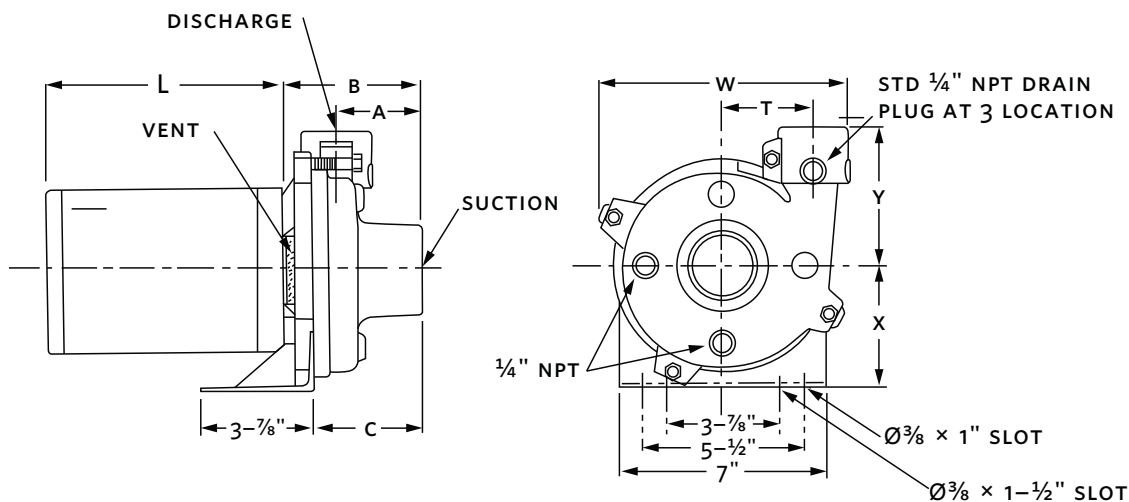
MAXIMUM PUMP OPERATING CONDITIONS

Working pressure: 150 psi (1034 kPa)

Operating temperature: 275°F (135°C)

NOTE:

- For exact installation data please write factory for certified dimensions.
- See performance curves on page 2

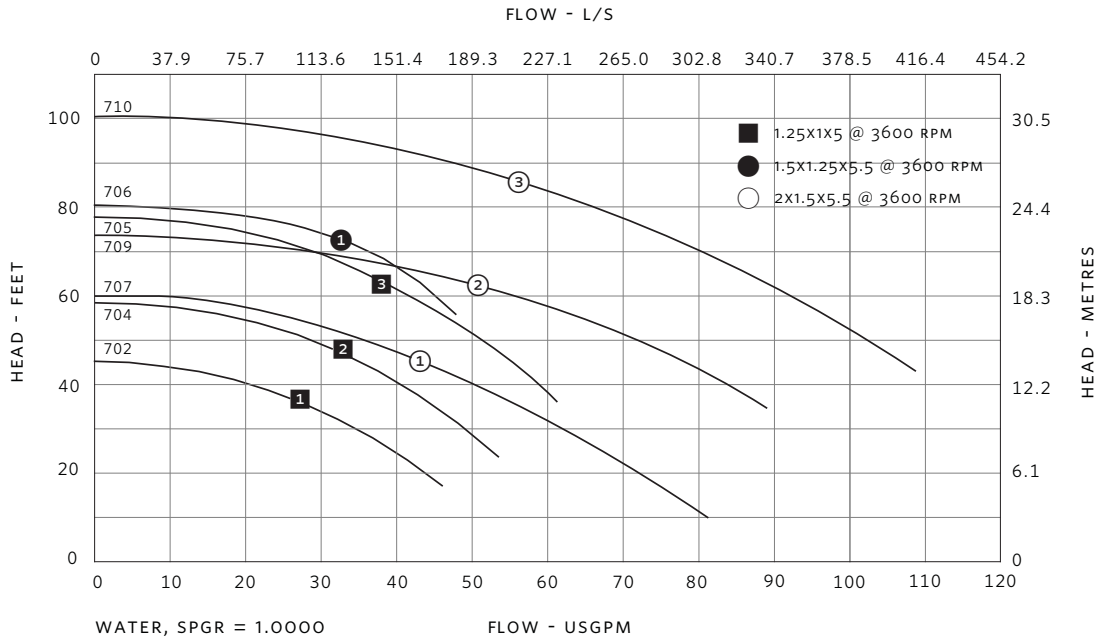


MODEL	SECTION	DISCHARGE	IMPELLER SIZE	HP	DIMENSIONS INCHES (mm)								WEIGHT lbs (kg)
					A	B	C	L*	T	W	X	Y	
702**	1.25 (31)	1 (25)	3.5 (88)	¾	2.90 (73)	4.80 (121)	3.80 (95)	8.80 (222)	3.10 (79)	8.30 (210)	4.20 (106)	4.80 (121)	79 (35.8)
704**	1.25 (31)	1 (25)	4(109)	1	2.90 (73)	4.80 (121)	3.80 (95)	8.80 (222)	3.10 (79)	8.30 (210)	4.20 (106)	4.80 (121)	88 (39.9)
705**	1.25 (31)	1 (25)	4.5 (121)	1½	2.90 (73)	4.80 (121)	3.80 (95)	8.80 (222)	3.10 (79)	8.30 (210)	4.20 (106)	4.80 (121)	108 (49.0)
706**	1.5 (38)	1.25 (31)	4.5 (121)	2	2.90 (73)	4.80 (121)	3.80 (95)	8.80 (222)	3.10 (79)	8.30 (210)	4.20 (106)	4.80 (121)	113 (51.3)
707**	2 (50)	1.5 (38)	4 (100)	1½	2.90 (73)	4.80 (121)	3.80 (95)	8.80 (222)	3.10 (79)	8.30 (216)	4.20 (106)	4.80 (121)	117 (53.1)
709½	2 (50)	1.5 (38)	4.375 (109)	2	2.90 (73)	4.80 (121)	3.80 (95)	8.80 (222)	3.10 (79)	8.30 (216)	4.20 (106)	4.80 (121)	124 (56.2)
710½	2 (50)	1.5 (38)	5 (125)	3	2.90 (73)	4.80 (121)	3.80 (95)	9.40 (238)	3.10 (79)	8.30 (216)	4.20 (106)	4.80 (121)	132 (59.9)

NOTE:

- All dimensions are in inches (mm) and weights in lbs (kg)
 - *Motors are available with open drip-proof enclosures only.
 - **Add suffix to the end of the model number.
- Suffix number: "s" for 60 HZ / 1 phase / 115 v / 230 v (230 v only for 3 HP and 5 HP)
 "t" for 60 HZ / 3 phase / 208-230 v / 460v

PERFORMANCE CURVES



TORONTO
+416 755 2291

BUFFALO
+716 693 8813

BIRMINGHAM
+44 (0) 8444 145 145

MANCHESTER
+44 (0) 8444 145 145

BANGALORE
+91 (80) 4906 3555

SHANGHAI
+021 3756 6696

ARMSTRONG INTEGRATED
ESTABLISHED 1934

ARMSTRONGINTEGRATED.COM