

Plate Heat Exchangers

Installation and operating instructions

File No: 113.84
Date: NOVEMBER 4, 2019
Supersedes: NEW
Date: NEW

—

—

—

—

CONTENTS

1.0 FOREWORD	4
2.0 INTRODUCTION	4
3.0 SAFETY ALERT NOTICES	4
4.0 GENERAL	4
4.1 IDENTIFICATION OF THE HEAT EXCHANGER	4
4.2 CORRECT OPERATION	4
4.3 PRECAUTIONS	5
4.4 THERMAL DESIGN	5
5.0 CONSTRUCTION	6
5.1 FRAME	6
5.2 PLATES	6
5.3 GASKETS	6
5.4 SPECIAL APPLICATIONS	7
5.5 RIGHT/LEFT PLATES	7
6.0 INSTALLATION	8
6.1 REQUIREMENTS TO THE INSTALLATION AREA	8
6.2 TRANSPORT, LIFTING AND STORAGE	8
6.3 INSTALLING THE PIPE CONNECTIONS	9
7.0 COMMISSIONING	10
7.1 COMMISSIONING AND PRE-CHECKS	10
7.2 OPERATION	10
7.3 SHUT-DOWN FOR A SHORT PERIOD	10
7.4 SHUT-DOWN FOR A LONG PERIOD	10
8.0 MAINTENANCE	11
8.1 CLEAN IN PLACE (CIP)	11
8.2 SOME CLEANING DETERGENTS	11
8.3 OPENING THE PLATE HEAT EXCHANGER	11
8.4 CLEANING THE PLATES	12
8.5 PLATE REPLACEMENT	12
8.6 GASKET REPLACEMENT	12
8.7 ASSEMBLING OF THE PLATE PACKAGE AND PRESSURE TESTING	13
8.8 MAINTENANCE OF THE HEAT EXCHANGER	13
9.0 PROBLEM SOLVING	13
10.0 AFTER SALES SERVICE	15
10.1 ORDERING PARTS	15
10.2 MODIFICATIONS TO THE HEAT EXCHANGER	15

1.0 FOREWORD

This manual is a guide for installation, commissioning and maintenance of plate type heat exchangers supplied by Armstrong.

It is meant for those who are responsible for the installation, the use and maintenance of the heat exchangers. We recommend that you read this manual carefully before commencing any work.

2.0 INTRODUCTION

This manual is applicable for all heat exchangers produced and supplied by Armstrong.

Armstrong can not be held responsible or liable for damage as a result of incorrect installation, use and / or maintenance of Armstrong plate type heat exchanger as well as not complying with the instructions in this manual.

Please note that our plate type heat exchangers are specially designed and built for the operating conditions (pressures, temperatures, capacities and type of fluids) provided by the customer. Sudden pressure peaks beyond the normal operating pressure (or pressure surges) which can occur during starting up or stopping of the system can severely damage the heat exchanger and should be prevented. Armstrong can not be held responsible for any damage as a result of any operation deviating from the original design conditions.

If you wish to alter the design conditions, please contact us refer page 15. You may only commission the heat exchanger under the modified conditions after inspection and written approval by Armstrong. Also the name plate on the heat exchanger will be adapted.

3.0 SAFETY ALERT NOTICES

SAFETY ALERT NOTICE

Following must be respected by installing/running/servicing plate heat exchangers:

- Keeping current local safety regulations.
- Before any work begins ensure that the exchangers are pressureless and cooled till under 40°C.
- Use gloves for preventing any injury from sharp edges when handling plates.
- In all cases ensure that all laws and regulations are strictly kept concerning human/environment protection.



Refer to applicable **safety alert** notices within the manual!

All safety alert notices are applicable to personal injury and identified by the following symbol.

4.0 GENERAL

4.1 IDENTIFICATION OF THE HEAT EXCHANGER

All plate type heat exchangers supplied by Armstrong are provided with a name plate.

On this plate the following details are specified in **FIG 4.1**

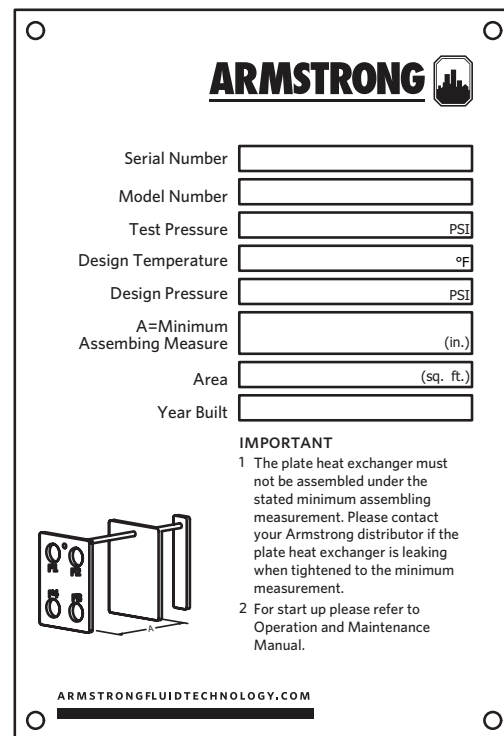


FIG 4.1

4.2 CORRECT OPERATION

This user manual provides information and instructions for correct and safe operation of the unit. Many accidents are caused by incorrect use!

It is essential that you study the instructions carefully, and above all, ensure the availability to those who install, maintain and operate the heat exchanger on a daily basis. This manual is of no value if it is not available at the time when your staff needs it.

If a problem occurs with your Armstrong Heat Exchanger which is beyond the scope of this manual, do not hesitate to contact us. The installation should not be put into operation before all indistinctnesses have been solved!

To avoid injuries and damages, follow the instructions and local applicable safety regulations. Also take the necessary protective measures, depending on the nature of your process or circumstances related to it, at your plant.

Please note that our plate type heat exchangers are especially designed and built for the operating conditions (pressures, temperatures, capacities and type of fluids) provided by the customer. Sudden pressure peaks beyond the normal operating pressure (or pressure surges) which can occur during starting up or stopping of the system can severely damage the heat exchanger and should be prevented.

Armstrong can not be held responsible for any damage as a result of any operation deviating from the original design conditions.

If you wish to alter the design conditions, please contact us. You may only commission the heat exchanger under the modified conditions after inspection and written approval by Armstrong. Also the name plate on the heat exchanger will be adapted.

4.3 PRECAUTIONS



All potential personal injury hazards are identified by safety alert symbol.

Bodily harm can be caused by:

- Burning as a result of touching the heat exchanger or other parts of the installation
- The uncontrolled release of pressurized media with which the danger of burning and other injuries is present
- Contact with chemicals
- Touching sharp edges of the installation

Damage to equipment can be caused by:

- External forces
- Corrosion
- Chemical action
- Erosion
- Material exhaustion
- Water hammer
- Thermal and / or mechanical shock
- Freezing
- Wrong transport / lifting

Even after stopping the installation some parts of it can still be hot!

The heat exchanger may only be used with the fluids specified on the datasheet.

The hot medium may not flow through the exchanger without the cold medium flowing through. This is to prevent damage to the exchanger.

In case the cold medium is present but does not flow while the hot medium is flowing through, the cold medium will start boiling and the exchanger will be damaged.

Sudden pressure and temperature changes should be prevented.

When a heat exchanger (filled with water or a water mixture) which is not in operation is exposed to temperatures below zero, the plates can become deformed.

If a danger of frost occurs, the heat exchanger should be drained completely.

Demountable plate heat exchangers can always leak. We advise you to take this into account while installing. Preferably you should install a drip tray underneath the heat exchanger to prevent leakages onto the floor and/or harm to electrical equipment. (Short circuit/moisture damage).

If the heat exchanger is being used with temperatures above 60°C or with aggressive fluids, we advise you cover the heat exchanger with a screen plate to prevent the risk of touching.

If welding activities have to be carried out near the heat exchanger, never use the heat exchanger for earthing the construction work.

Electrical currents can cause severe damage to both plate and gasket.

If you have to weld, dismantle the connecting flanges and isolate the heat exchanger from the system.

4.4 THERMAL DESIGN

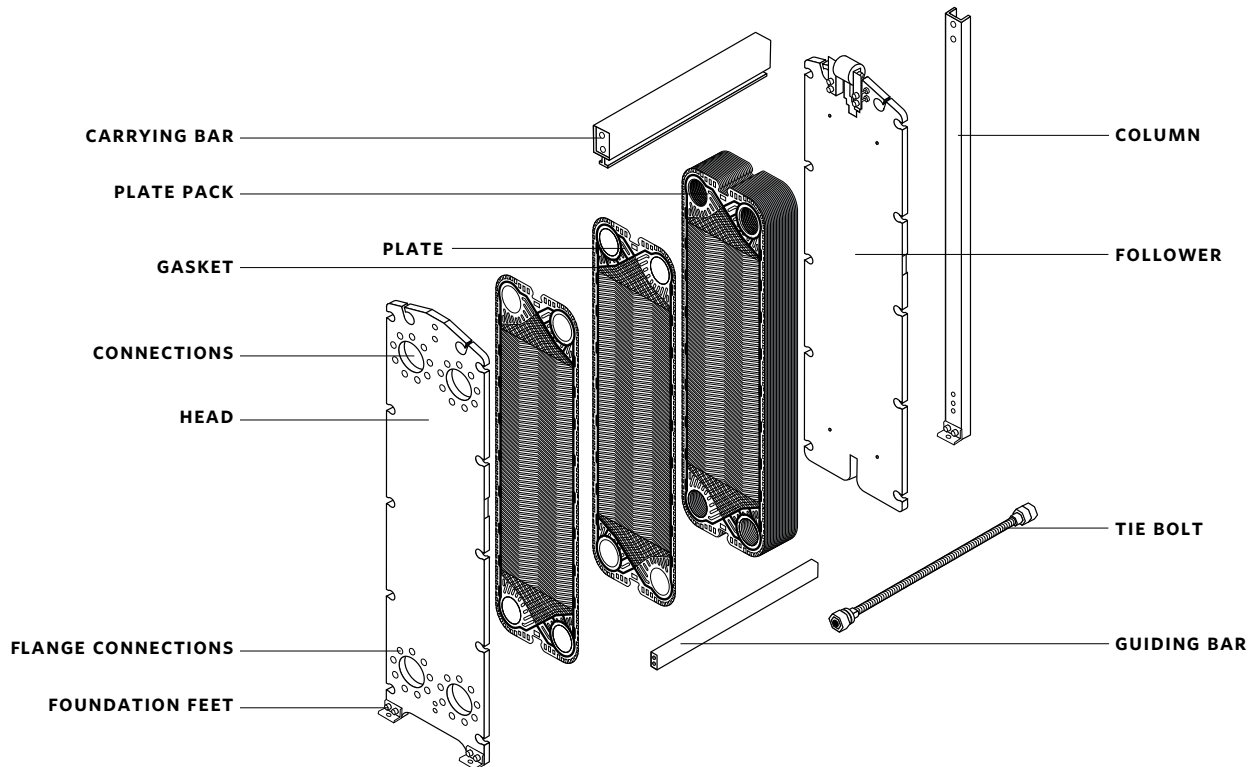
Armstrong plate type heat exchangers are designed and calculated according to the newest technology.

If performance test has to be carried out, the exchanger must be totally clean.

In the Armstrong data sheet the nominal capacity and pressure losses are mentioned.

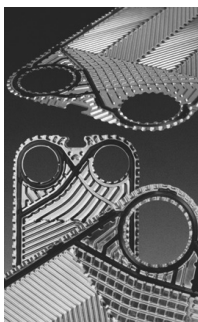
The pressure loss can deviate up to 15% from the data in the data sheet depending on plate thickness, the plate material and the difference in the two working pressures.

5.0 CONSTRUCTION



5.1 FRAME

The heat exchanger consists of a frame plate (head), a pressure plate (follower), a carrying bar, a lower bar and a column. Tie (clamping) bolts are used to press the plate package together. The size and number is depending on the type of heat exchanger.



The following types of packings are being used in our plate type heat exchangers:

- Glue gaskets
- **Snap** gaskets
- **Lock** gaskets (new generation of gaskets)
- **Hang-on** gaskets

5.2 PLATES

The plate package consists of plates with a groove along the rim of the plate and around the ports. The number of plates is, as well as size and dimension, dependant on the thermal output required. Depending on the application stainless steel or titanium plates might be used.



ARM Snap gasket



ARM Lock gasket

5.3 GASKETS

The groove provided in the plates holds the special gasket. The purpose of this gasket is to prevent intermixing of the media and leakage to the outside. The gaskets are selected to suit the actual combination of temperature, chemical resistance and possible other conditions to be considered.



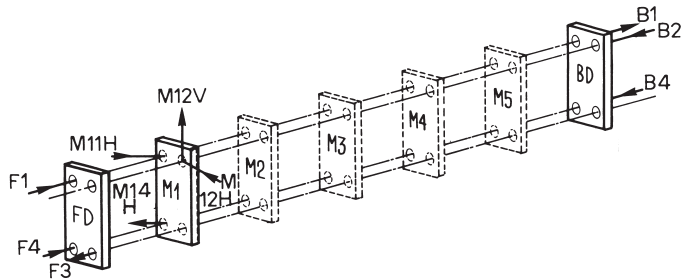
Hang-on gasket

They can be supplied in Viton, Nitrile or EPDM.

5.4 SPECIAL APPLICATIONS

If the plate heat exchanger works with several fluids at the same time, it can be necessary to insert intermediate frames.

The intermediate frames are equipped with corner blocks, forming connections between the different sections. Two connections can be placed in the same corner block, having connection to two different sections in the plate heat exchanger.



For the exact application of your plate type heat exchanger please check the documentation which was supplied with the heat exchanger.

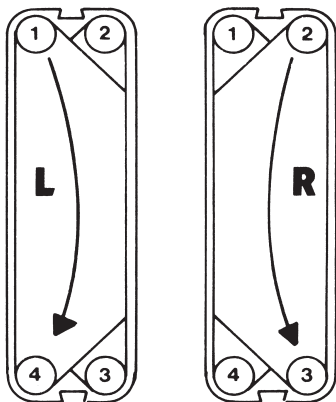
5.5 RIGHT/LEFT PLATES

The Armstrong plates are designed in such a way that they can be used both as right and as left plates. The plates just have to be turned 180°. (Excepted are types s1, s53 and sF52, which are **diagonal** plates. Here right and left plates are different).

Right and left plates:

On a right plate the flow runs from hole 2 to hole 3 or reverse from hole 3 to hole 2.

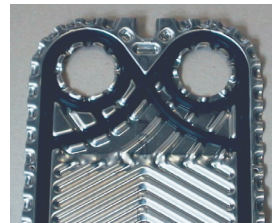
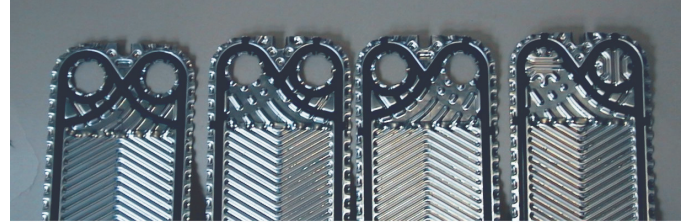
On a left plate the flow runs from hole 1 to hole 4 or reverse from hole 4 to hole 1.



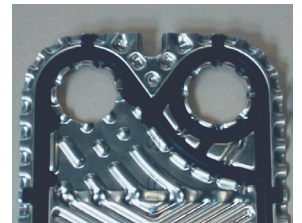
The opening of the corner holes are described in a **plate code index**. For instance 1234 means that all corner holes are open.

Every plate can be identified by the gasket configuration, the plate code index and thermal short or thermal long execution.

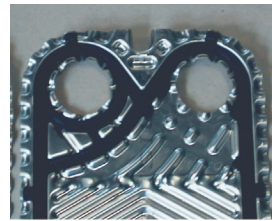
PLATE TYPES



START PLATE WITH GASKET



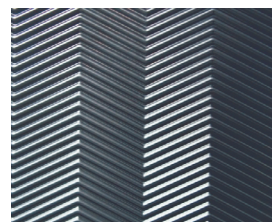
LEFT HAND FLOW PLATE WITH GASKET



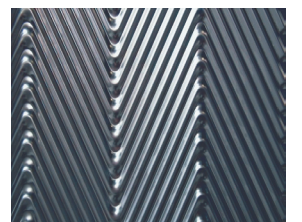
RIGHT HAND FLOW PLATE WITH GASKET



END PLATE WITH GASKET



THERMAL LONG PLATE

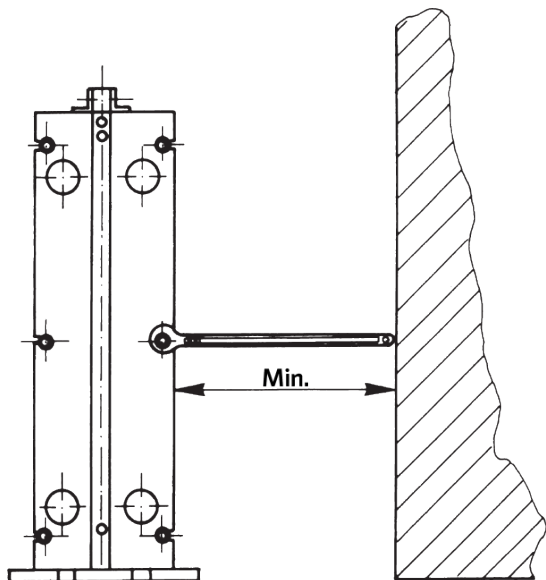


THERMAL SHORT PLATE

6.0 INSTALLATION

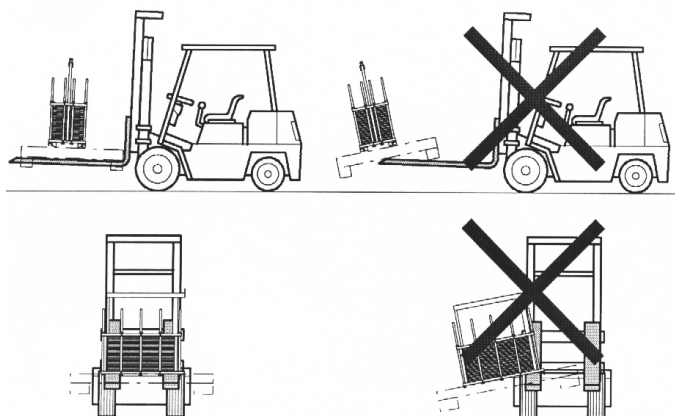
6.1 REQUIREMENTS TO THE INSTALLATION AREA

It is very important that enough space around the plate type heat exchanger is kept free for servicing of the unit (renewal of plates, tightening of the plate package).



As a rule the free space around the unit should be 1.5 to 2 × the width of the unit.

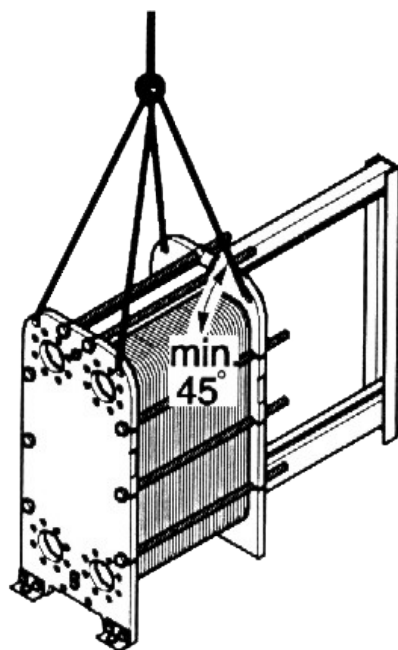
6.2 TRANSPORT, LIFTING AND STORAGE



WARNING



To prevent personal injury always use appropriate hoisting equipment. If you are to lift the heat exchanger itself, straps should be used. They should be placed as shown on the picture.



Lifting

Usually the heat exchanger will be supplied horizontally on a pallet.

The back side of the head will then be tightened to the pallet. This allows you to transport the unit by means of a fork lift truck.



Rising of the unit

- Remove all tightening elements from the pallet;
- Place straps around one bolt on each side as shown on the picture.

- Never use steel cables or chains!
- Lift the heat exchanger from the pallet;
- Lower the heat exchanger slowly to vertical and on its feet and place it in its end position on the floor.
- Remove the straps and tighten the heat exchanger to the floor.

ATTENTION

Never lift the heat exchanger by using the connections or studs around them!

Always

- Use the lifting eyes (if fitted)
- Lift the top side of the head
- Attach the straps to the bolts close to the head

Never

- Lift using the connections
- Lift the follower
- Lift using an intermediate plate
- Lift with a strap attached close to the follower

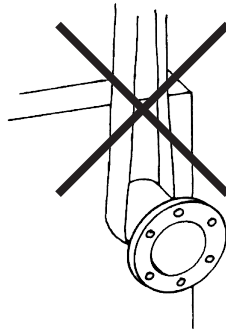
Storage

Should it be necessary to store the heat exchanger for a longer period (1 month or more), certain precautions should be taken in order to prevent unnecessary damage to the equipment.

Preferably the heat exchanger should be stored inside in a room with a temperature around 15 to 20 °C and a humidity of max. 70%.

If this is not possible, place the heat exchanger in a wooden box which is provided with a lining on the inside against penetration of moisture.

There should **absolutely not** be any **ozone producing** equipment in the room, like electric motors or arc-welding equipment, since ozone destroys many rubber materials. Also do not store organic solvents or acids in the room and avoid heat or ultraviolet radiation.



6.3 INSTALLING THE PIPE CONNECTIONS

Depending on the type the Armstrong plate type heat exchanger will be provided with flanges, couplings, threaded pipes, etc.

When connecting the pipe system to the heat exchanger make sure that no stress or strain is imposed, by the pipe system, on to the heat exchanger!

We advise you of the following:

- Heavy pipe work needs to be supported. This will prevent heavy forces on the heat exchanger.
- Always install flexible connections on the follower to prevent vibrations on the heat exchanger. These flexible connections also prevent expansion of the pipe work, caused by temperature influence, onto the heat exchanger.
- These flexible connections need to be fitted in a longitudinal direction to the plate package.
- The pipe work needs to be thoroughly cleaned and flushed before connecting up to the heat exchanger.
- Always install vents on both sides of the heat exchanger.

NOTE:

For proper venting the vents should be fitted on the highest point in the direction of the flow of the medium (preferably on an air vessel).

To enable the heat exchanger to be opened when necessary shut off valves should be provided in all connections!

Make sure that the pipe work, connected to the heat exchanger, is secured against pressure peaks / surges and temperature shocks!

Threaded pipe connections

If a plate type heat exchanger is provided with threaded pipe connections, make sure that these connections do not rotate when fitting to the pipe work. It could damage the gasket on the start plate. You need to make **counterhold** on the connection!

Flange connections

If the connection is rubber lined, the liner will act as the flange gasket. Bolt the connecting flange directly to the endplate using the drilled and tapped holes provided. Tighten the bolts evenly – do not over-tighten as this could strip the threads cut into the frame plate.

If loose backing flanges are fitted to the heat exchanger a suitable gasket is required to seal the flange.

Unless otherwise stated, the liquid circuits should be connected to flow in reverse directions through the exchanger (counter-current). Refer to the contract drawing or quotation details if the connections are not marked.

7.0 COMMISSIONING

7.1 COMMISSIONING AND PRE-CHECKS

Commissioning may only be done by staff specially trained for the job or by Armstrong commissioning engineers.

Control, maintenance and repair of the installation may only be done by authorized, trained and properly instructed staff.

Maintenance and cleaning may only be done with a heat exchanger cooled to under 40°C and shut down!

Check if all connections are fitted correctly (see also 6.3).

Filtration:

The media flowing through the heat exchanger should not contain particles larger than 0.5 mm diameter/length. If necessary **inline** filters should be fitted.

Check the pressures and temperatures of the media and make sure that these are not more than the values specified on the name plate.

It is essential that the heat exchanger is not subjected to thermal or mechanical shock as this could lead to premature gasket failure

7.2 OPERATION

Start cold circuit first, then the hot circuit.

Fully vent the system:

- Close shut off valve fitted between pump and exchanger
- Fully open valve fitted into return line from the exchanger
- Start the circulation pump normally placed by the inlet
- Gradually open closed shut off valve between pump and exchanger
- Vent system again if necessary

Repeat the above for the secondary circuit.

When using steam as one of the media:

Use slow acting steam control valves and open slowly shut off valves!

Before start up:

- Ensure that the steam control valve is fully closed
- Ensure that the heat exchanger is fully drained of condensate
- Start cold circuit first, then the steam side
- Open steam control valve slowly - this prevents water hammer of any condensate in the steam line and reduces the pressure / thermal shock to the exchanger

- Ensure that the steam trap is correctly sized to allow full condensate discharge - this prevents water clogging inside the exchanger

Check for proper operation:

- Check for pressure pulses in the system caused by the pumps or control valves. If found, stop operation and rectify. Continuous pressure pulses will result in fatigue failure of the plates
- Visually check the unit for leakages
- Check that all vents are closed to prevent air being sucked into the system

When in operation, the conditions should not be changed.

The max. conditions specified on the name plate should not be exceeded.

7.3 SHUT-DOWN FOR A SHORT PERIOD

If the plate type heat exchanger has to be shut down for a short period, please follow the following procedure:

- **Slowly** close the control valve in the **hot** circuit whilst maintaining the full flow in the **cold** circuit
- Switch off the hot circuit pump
- Cool down the heat exchanger to under 40°C
- Slowly close the control valve in the cold circuit
- Switch off the cold circuit pump
- Close all remaining shut off valves

7.4 SHUT-DOWN FOR A LONG PERIOD

If the unit is to be taken off line for an extended period of time then the following procedure should be followed:

Point 7.3 must be followed, then:

- Allow unit to cool down
- Drain all circuits
- Lubricate threads on the tie (clamping) bolts
- Loosen tie clamping bolts until the plate pack is **loosened** (max. "A" size + 10%)
- The tie bolts should not be removed or loosened to such an extent that dirt is allowed to enter in-between the plates. We recommend that a warning notice is attached to the exchanger to remind personnel that the tie clamping bolts need adjustment before the unit can be put back into service
- Cover the plate pack with black plastic to exclude any sunlight

Please also see section 6.2 - Storage

8.0 MAINTENANCE

8.1 CLEAN IN PLACE (CIP)

CIP cleaning (clean in place by circulating cleaning detergents)

To use CIP cleaning, it is a condition that the scaling on the plates is soluble. All materials in the whole circulation system of course have to be resistant to the cleaning detergent.

We advise you to ask for a confirmation from the supplier of the cleaning detergent that it will not damage the materials in the heat exchanger.

If the solution requires recirculation, select a flow that is as high as possible, and certainly no less than the service or product flows.

Follow the instructions as given by the detergent supplier / cleaning specialist. We suggest that for recirculated cleaning detergent methods, the fluid should be pumped through the exchanger for no less than 30 minutes.

Rinsing

After using any type of cleaning agent, always rinse thoroughly with fresh water. If cleaning in place then circulate fresh water for at least 10 minutes.

8.2 SOME CLEANING DETERGENTS

Oil and grease can be removed with a water emulsifying oil solvent i.e. BP system.

Organic and grease cover can be removed with sodium hydroxide (NaOH) maximum concentration 1.5% - max. temp. 85°C.

Mixture for 1.5% concentration = 5 ltr.
30% NaOH per 100 ltr. water.

Stone and limestone can be removed with nitric acid (HNO₃) - max. concentration 1.5% - max. temp. 65°C.

Mixture for 1.5% concentration = 2.4 ltr.
HNO₃ 62% per 100 ltr. water.

Nitric acid also has an affective build up effect on the passivation film of stainless steel!

CAUTION



Nitric acid and Sodium Hydroxide may cause injury to exposed skin, eyes, and mucous membranes. Use of protective eyewear and gloves is strongly recommended.

8.3 OPENING THE PLATE HEAT EXCHANGER

When opening and assembling the heat exchanger observe the following:

- Measure and note the actual **A** size
- Use the correct tools and lubricant
- Shut down the heat exchanger as described under **7.3**
- Make sure the heat exchanger cools down (<40°C)
- Ensure there is no pressure on any part of the unit
- Clean the tie (clamping) bolts and grease the threads
- Loosen the tie clamping bolts equally in the correct order (**FIG 8.1**) i.e. that the follower shall have a parallel opening motion
- Pull the follower back towards the column
- Remove the plates without damaging the gaskets

CAUTION



Ensure unit is depressurized and drained of hot and/or aggressive product before unit is opened to prevent personal injury.

CAUTION



Sharp edges. When handling plates, gloves should be worn.

Recommendation:

Mark the plate package before opening.

You could mark the plate package with a diagonal line on the outside **FIG 8.2**, or number the plates in sequence.

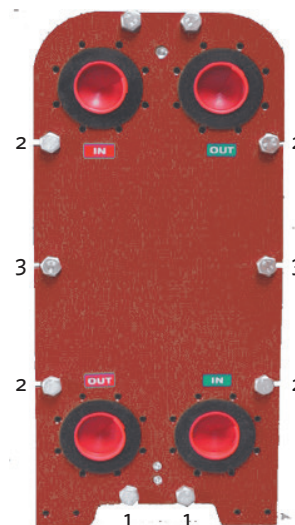


FIG 8.1



FIG 8.2

8.4 CLEANING THE PLATES

CAUTION



Always wear gloves and eye goggles when using cleaning detergents.

Use nylon or other types of **soft** scrubbing brushes with detergent.

Never use a metal brush, steel wool or sand/glass paper.

This will damage the passivation film of the plates.

Use Acetone or other types of solvents which do not contain chlorine to remove old gasket glue. Alternatively use a **low-temp.** gas flame softly heating the reverse side of the plate. Do not use any other type of gas which may produce a **harder** flame. **Remember ventilation.** Boiling water can be used with some success.

Consult a cleaning specialist for a suitable choice of detergent. Ensure that all detergents used are compatible with the plate and gasket material before use.

In case plates are removed for manual cleaning, make sure they are re-fitted in the same order.

Always remove plates one by one and number them!

A high pressure cleaner can be used but with absolute care and never add abrasives.

If the scaling or organic layer is thick the plates can be put in a barrel with qualified cleaning material.

Before fitting chemical cleaned plates they need to be thoroughly rinsed with fresh water!

IMPORTANT:

Cleaning is an important part, influencing the effectiveness of the plate heat exchanger. Insufficient cleaning can have the following results:

- Too low circulation flow;
- Insufficient thermal output;
- Life time of the heat exchanger will be shortened.

If a plate has to be renewed because of serious damage, the plates next to this plate normally need to be replaced.

8.5 PLATE REPLACEMENT

The plates must be clean, dry and free from oil or grease. If there are any oil remains on the gaskets, or on the gasket

seating area, then there is a high risk that the plates or gaskets shall slip out of place when the unit is being tightened. If the gaskets are contaminated with dirt or grit, then these could cause leakage.

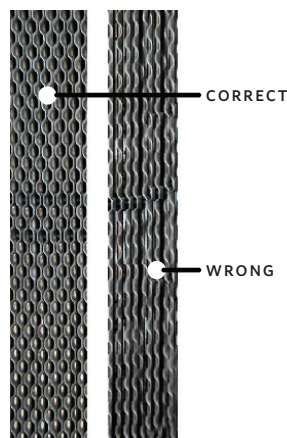


FIG 8.3

- Make sure that all seating areas are flat, clean and undamaged.
- Always use new gaskets.

Fit the plates according to the Plate Sequence Sheet – ensure all gaskets face towards the fixed frame plate (head).

Alternate between left and right handed plates – if the plate edges form a regular honeycomb pattern, the left / right hand sequence is correct, see FIG 8.3

8.6 GASKET REPLACEMENT

Glue free gaskets

This type of gasket (**Hang-on**) and **ARM Lock** (new generation of glue free gasket) require no adhesive. They are located by pushing the gasket fully down into the gasket groove or fastened by special devices. Make sure groove and gasket are clean!

Glue type gaskets

The surfaces need to be clean and free of oil.

Only use chloride free glues like Pliobond 20 or 30, Bostic 1782, 3M EC 1099 and Bond Spray 77.

Follow the instructions of the manufacturer; these will be printed on the cover of the glue.

CAUTION



When using commercial solvents and adhesives, follow the manufacturers recommendations carefully, as many of these materials are hazardous.

Ring Gaskets

The ring gaskets are used in connection with intermediate frames, by connections in the follower and by **sw** (Semi Welded) types.

It can be necessary to use a little glue for positioning the ring gasket during assembly of the heat exchanger.

Rubber Liners

There is one type of rubber liners for connections in the head and another type of rubber liners for connections in the follower.

8.7 ASSEMBLING OF THE PLATE PACKAGE AND PRESSURE TESTING

- Lightly oil the tie (clamping) bolt threads. Do not allow oil or grease onto the gaskets or the gasket seating faces on the back of the plates. Wet or contaminated plates can become misaligned during tightening. In this case, dismantle, clean, and dry all areas in contact with the gaskets. Evenly tighten all bolts in the correct order (refer **FIG 8.1**). We advise the use of ratchet spanners.
- Ensure clamping is as uniform as possible, thus keeping the frames and plates parallel throughout the operation. Avoid skewing the frame plates by more than 5 mm.
- Tightening is complete when the distance between the inside faces of both frame plates equals the **A** distance as shown on the contract drawing, see **FIG 8.4**.
- This tightening distance can also be calculated using the following formula: Assembly distance = No. of plates x (plate thickness + coefficient)

The coefficients can vary depending on the model type, but is often 0.1 mm.

- Finally check that all tie (clamping) bolts are in tension and clean any spilt oil off the head, follower and plates.
- On completion the unit can be pressure tested (test pressure is stated on the name plate).

If dimension **A** is not reached with application of maximum tightening torque:

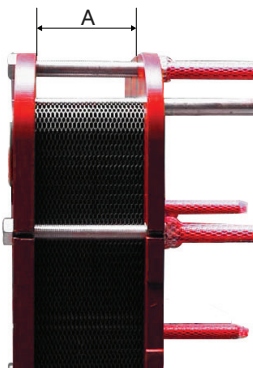


FIG 8.4

- Check the number of plates and dimension **A** on the data sheet;
- Check that all the nuts and bearing boxes are running freely. If not, clean and lubricate or replace.

If the unit does not fully seal, it may be tightened step by step to give dimension **A** min.

This dimension is mentioned on the name plate, see **FIG 4.1**.

However, the minimum measure must not be exceeded.

Under no circumstances distance A may be smaller than A min.

Tightening of the plate package can only be done with a fully depressurized unit.

8.8 MAINTENANCE OF THE HEAT EXCHANGER

Time interval - once a year as a minimum

- Check temperatures and flows against commissioning data
- Check general condition and look for any signs of leakage
- Wipe clean all painted parts and check surfaces for signs of damage - **touch up** if necessary
- Check bolts and bars for rust and clean. Lightly coat threaded parts with molybdenum grease or a corrosion inhibitor (ensure that no grease, etc. falls onto the plate gaskets)
- If rollers are fitted to the follower, lubricate the bearings with light machine oil

9.0 PROBLEM SOLVING

If you have problems with your plate type heat exchanger, in most cases these can be solved by your own personnel. Please find below a summary of possible problems as well as possible causes and solutions.

A condition for the continuous proper functioning of your plate type heat exchanger is in strict compliance with the permissible values for pressure and temperature mentioned on the name plate.

Exceeding these values, even as short-lasting pressure peaks will cause damage to the unit and be the cause of problems.

To avoid costly repairs, we advise you to have the installation work and maintenance carried out by properly trained personnel. You can also contact relevant Armstrong Sales Office.

PROBLEM	POSSIBLE CAUSE	POSSIBLE SOLUTION
Leakage	At the connections	<ul style="list-style-type: none"> Check the rubber liners (if fitted) Check the flange gasket (if fitted) Check the O-ring Fit the pipes tension-free
	Mixing of primary and secondary circuit	Check the plates for holes and/or cracks
	In plate package	<ul style="list-style-type: none"> Check the assembly Check the condition of the gaskets Check the proper position of the gasket
	The operating conditions deviate from the specification	Adjust the operating conditions
Insufficient capacity	Air in the system	<ul style="list-style-type: none"> De-aerate the pipe system Check the pipe work for possible air traps
	The operating conditions deviate from the specification	Adjust the operating conditions
	The heat exchanger is dirty	Clean the heat exchanger
	The connections have been interchanged	Redo the pipe work
Too high pressure drop	Flow larger than the design flow	Adjust the flow
	Channels in plate(s) blocked	Flush /clean
	Incorrect measurements	Check the pressure indicator
	Medium deviating from the design	Addition of for instance anti-freeze will increase the pressure drop
	Air in the system	<ul style="list-style-type: none"> De-aerate the pipe system Check the pipe work for possible air traps

For nearly all leakage problems it will be necessary to dismantle the unit before any attempts to rectify the fault can be made. Mark the area(s) where the leakage seems to be with a felt tip marker or similar before taking apart the exchanger.

Cold leakage is caused by a sudden change in temperature. The sealing properties of certain elastomers are temporarily reduced when the temperature changes suddenly. No action is required as the gaskets should re-seal after the temperature has stabilised.

Gasket failures are generally a result of:

- Old age
- Excessive exposure to ozone
- High operating temperature - above the temp. limit of the material
- Exposure to pressure surges

- Chemical attack
- Physical damage, resulting from incorrect assembly work, or damage
- Resulting from a misaligned plate (check the hanging system at the top of the plate for distortion).

Decrease in performance is generally a result of:

- Plate surfaces require cleaning or de-scaling
- Pumps or associated controls have failed
- Plate channels blocked
- Liquid flows not as per design specification
- Associated chiller/cooling tower/boiler under sized or dirty
- Cooling water temperature to the exchanger is higher than the design
- Heating media temperature to the exchanger is lower than the design

- Steam flow not sufficient – control valve malfunction
- Steam trap broken or jammed – unit becomes filled with condensate
- Plate package has been assembled incorrectly
- Unit is running in co-current flow, instead of counter current – check with contract drawing and alter pipe work if necessary. Check direction of pump flows.
- Air lock has developed in the plate package or pipe work

10.0 AFTER SALES SERVICE

10.1 ORDERING PARTS

When ordering parts it is important that the correct details are given.

At least the following should be quoted:

- Model Number and Serial Number
- Required parts

When ordering separate plates it is important that the correct plate code index and type of plate is given. See section **5.2**

When ordering separate gaskets it is important to indicate the correct gasket material.

When ordering tie (clamping) bolts, the existing ones should be measured in order to get new ones of the same size and length.

10.2 MODIFICATIONS TO THE HEAT EXCHANGER

The plate heat exchanger is built up in modules and therefore flexible with respect to enlargements or reductions. It is easy to change the capacity by respectively enlarging or reducing the number of plates. We would be pleased to advise you.

TORONTO

23 BERTRAND AVENUE
TORONTO, ONTARIO
CANADA, M1L 2P3
+1 416 755 2291

BUFFALO

93 EAST AVENUE
NORTH TONAWANDA, NEW YORK
U.S.A., 14120-6594
+1 716 693 8813

BIRMINGHAM

HEYWOOD WHARF, MUCKLOW HILL
HALESOWEN, WEST MIDLANDS
UNITED KINGDOM, B62 8DJ
+44 (0) 8444 145 145

MANCHESTER

WOLVERTON STREET
MANCHESTER
UNITED KINGDOM, M11 2ET
+44 (0) 8444 145 145

BANGALORE

#59, FIRST FLOOR, 3RD MAIN
MARGOSA ROAD, MALLESWARAM
BANGALORE, INDIA, 560 003
+91 (0) 80 4906 3555

SHANGHAI

UNIT 903, 888 NORTH SICHUAN RD.
HONGKOU DISTRICT, SHANGHAI
CHINA, 200085
+86 (0) 21 5237 0909

SÃO PAULO

RUA JOSÉ SEMIÃO RODRIGUES AGOSTINHO,
1370 GALPÃO 6 EMBU DAS ARTES
SAO PAULO, BRAZIL
+55 11 4785 1330

LYON

93 RUE DE LA VILLETTE
LYON, 69003 FRANCE
+33 (0) 420 102 625

DUBAI

LOB16, #611, JAFZA
P.O. BOX 18226
DUBAI - UNITED ARAB EMIRATES
+971 4 887 6775

MANNHEIM

DYNAMOSTRASSE 13
68165 MANNHEIM
GERMANY
+49 (0) 621 3999 9858

ARMSTRONG FLUID TECHNOLOGY
ESTABLISHED 1934

ARMSTRONGFLUIDTECHNOLOGY.COM

MAKING
ENERGY
MAKE
SENSE™