

FLO-TREX VALVES THREADED & GROOVED (DN 32 to DN 50) | STRAIGHT SIZES 32mm - 50mm (1.25" - 2") | SUBMITTAL

File No: 35.94
Date: JANUARY 19, 2016
Supersedes: 35.94
Date: SEPTEMBER 10, 2015

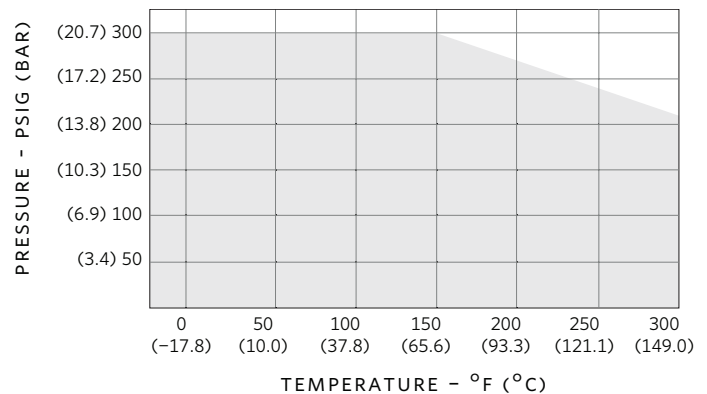
Job: _____ Representative: _____
 _____ Ordered by: _____ Date: _____
 Engineer: _____ Submitted by: _____ Date: _____
 Contractor: _____ Approved by: _____ Date: _____

FLO - TREX VALVE SCHEDULE				
TAG	QTY.	FTV-TS/ GS MODEL AND SIZE	CONFIGURATION	PUMP DESCRIPTION

MATERIALS OF CONSTRUCTION

- Body:** CF-8 (AISI SS 304) A351
- Bonnet:** Brass C46500
- Disc:** Brass C46500
- Stem:** Brass C46500
- Spring:** SST spring wire (ASTM A-313 type 302-(18-8))
- Packing nut:** Brass C46500
- O-Rings:** EPDM
- Metering ports (2):** Brass C46500 PT ports with caps, EPDM check and gaskets
- Drain ports (2):** ¼" with SST plug
- Thrust spacer:** SST 416 Annealed and smooth turned
- Handle:** Reinforced Nylon; ABS
- Gruvlock coupling:** Cast stainless steel (type 316)
- ASTM A743 CF8M with SST bolts & nuts & EPDM gaskets

PRESSURE TEMPERATURE CHART



TECHNICAL DATA

- Connection:** FTV-TS: Threaded NPT
Threaded BSPT
FTV-GS: Grooved
- Max working pressure:** 300 PSI
- Max working temperature:** -4°F to 300°F (-20°C to 150°C)

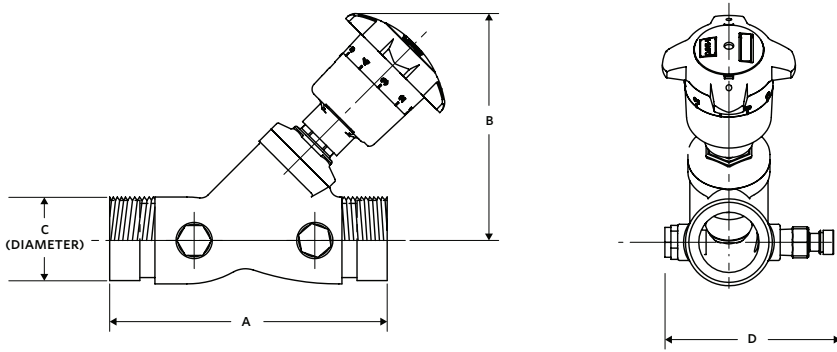


SUBMITTAL Flo-trex valves threaded & grooved (DN 32 to DN 50) straight sizes 32mm - 50mm (1.25" - 2")

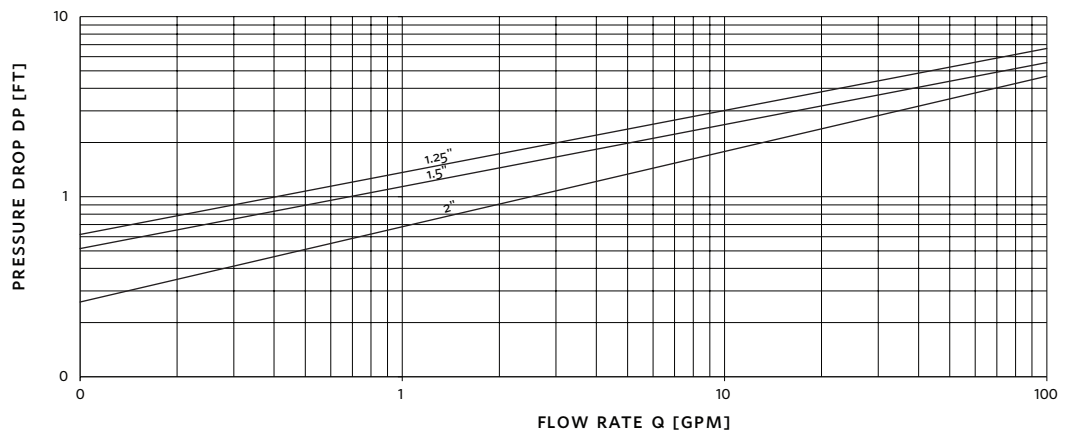
2

DIMENSIONS in inches (mm)						WEIGHT
MODEL	ITEM CODE	A	B (FULLY OPEN)	C	D	lbs (kg)
FTV-1¼GS	570200-202	5.75(146.05)	4.70(119.44)	1.66(42.16)	3.49(88.65)	3.00(1.37)
FTV-1¼TS (NPT)	570200-212	5.75(146.05)	4.70(119.44)	1.66(42.16)	3.49(88.65)	3.00(1.37)
FTV-1¼TS (BSPT)	570200-222	5.75(146.05)	4.70(119.44)	1.66(42.16)	3.49(88.65)	3.00(1.37)
FTV-1½GS	570200-205	6.26(159.0)	4.98(126.39)	1.90(48.26)	3.61(91.69)	3.81(1.73)
FTV-1½TS (NPT)	570200-215	6.26(159.0)	4.98(126.39)	1.90(48.26)	3.61(91.69)	3.81(1.73)
FTV-1½TS (BSPT)	570200-225	6.26(159.0)	4.98(126.39)	1.90(48.26)	3.61(91.69)	3.81(1.73)
FTV-2GS	570200-208	7.50(190.50)	5.44(138.06)	2.38(60.33)	4.16(105.66)	5.93(2.69)
FTV-2TS (NPT)	570200-218	7.50(190.50)	5.44(138.06)	2.38(60.33)	4.16(105.66)	5.93(2.69)
FTV-2TS (BSPT)	570200-228	7.50(190.50)	5.44(138.06)	2.38(60.33)	4.16(105.66)	5.93(2.69)

Dimensions and weights are for reference only.



FLOW RATE / PRESSURE DROP CHART



TORONTO
+1 416 755 2291

BUFFALO
+1 716 693 8813

BIRMINGHAM
+44 (0) 8444 145 145

MANCHESTER
+44 (0) 8444 145 145

BANGALORE
+91 (0) 80 4906 3555

SHANGHAI
+86 21 3756 6696

SÃO PAULO
+55 11 4781 5500

ARMSTRONG FLUID TECHNOLOGY
ESTABLISHED 1934

ARMSTRONGFLUIDTECHNOLOGY.COM